



IMPORTANT SAFETY WARNINGS



THE INSTALLATION MUST ONLY BE PERFORMED BY A LICENSED ELECTRICIAN. TO PREVENT DEATH, INJURY OR DAMAGE TO PROPERTY, THIS PRODUCT MUST BE INSTALLED IN ACCORDANCE TO NATIONAL ELECTRIC CODE (NFPA70) IN THE US OR CANADIAN ELECTRICAL CODE (CSA22.1) IN CANADA.

L'INSTALLATION NE DOIT ÊTRE EFFECTUÉE QUE PAR UN ÉLECTRICIEN AGRÉÉ. POUR PRÉVENIR LES DÉCÈS, LES BLESSURES OU LES DOMMAGES MATÉRIELS, CE PRODUIT DOIT ÊTRE INSTALLÉ CONFORMÉMENT AU CODE NATIONAL DE L'ÉLECTRICITÉ (NFPA70) AUX USA OU CODE CANADIEN DE L'ÉLECTRICITÉ (CSA22.1) AU CANADA.

CONSULT A QUALIFIED ELECTRICIAN TO ENSURE CORRECT BRANCH CIRCUIT CONDUCTOR.

CONSULTER UN ÉLECTRICIEN QUALIFIÉ POUR VOUS ASSURER QUE LES CONDUCTEURS DE LA DÉRIVATION SONT ADÉQUATS.

SUITABLE FOR DAMP LOCATIONS. SUITABLE FOR OPERATION IN AMBIENT NOT EXCEEDING 45°C (113°F).

CONVIENT AUX EMPLACEMENTS HUMIDES. PEUT ÊTRE UTILISÉ À UNE TEMPÉRATURE AMBIANTE N'EXCÉDANT PAS 45°C (113°F).

CAUTION – RISK OF FIRE. MIN 90°C (194°F) SUPPLY CONDUCTORS.

ATTENTION – RISQUE D'INCENDIE. LES FILS D'ALIMENTATION 75°C (167°F) MIN.

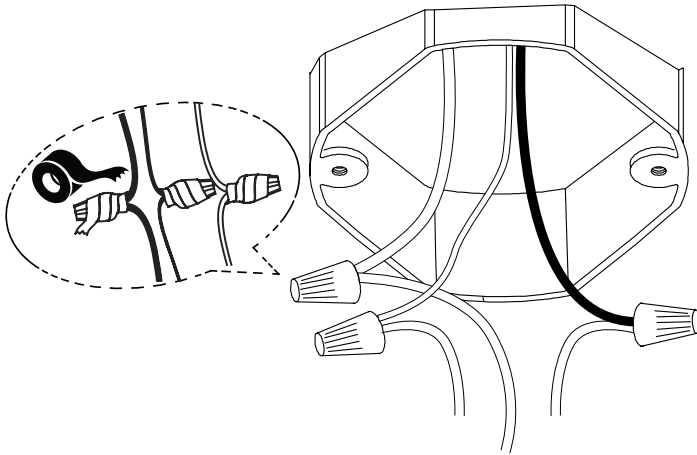
- To reduce the risk of death, personal injury or property damage from fire, electric shock, falling parts, cuts/abrasions, and other hazards please read all warnings and instructions included with and on the fixture box and all fixture labels.
- Follow all manufacturer's warnings, recommendations and restrictions for: driver type, burning position, mounting locations/ methods, replacement and recycling.
- Wear gloves and safety glasses at all times when removing luminaire from carton, installing, servicing or performing maintenance.
- Disconnect power before installation or servicing the LED luminaire.
- Allow lamp/fixture to cool before handling.
- Do not exceed maximum wattage marked on the label.
- Do not operate in close proximity to persons, combustible materials or substances affected by heat or drying.
- Verify that supply voltage is correct by comparing it with the label information.
- Wiring connections should be capped with UL-approved wire connectors.
- DO NOT INSTALL DAMAGED PRODUCT! This luminaire has been properly packed so that no parts should have been damaged during transit. Inspect to confirm. Any part damaged during or after assembly should be replaced.
- Maintenance of the luminaires should be performed by person(s) familiar with the luminaires' construction and operation and any hazards involved. Regular fixture maintenance programs are recommended.
- It will occasionally be necessary to clean the outside of the refractor/lens. Frequency of cleaning will depend on ambient dirt level and minimum light output which is acceptable to user. Refractor/lens should be washed in a solution of warm water and any mild, non-abrasive household detergent, rinsed with clean water and wiped dry.
- Should optical assembly become dirty on the inside, wipe refractor/lens and clean in above manner, replacing damaged gaskets as necessary.
- These instructions do not purport to cover all details or variations in equipment nor to provide every possible contingency to meet in connection with installation, operation, or maintenance.

Specifications and dimensions subject to change without notice.

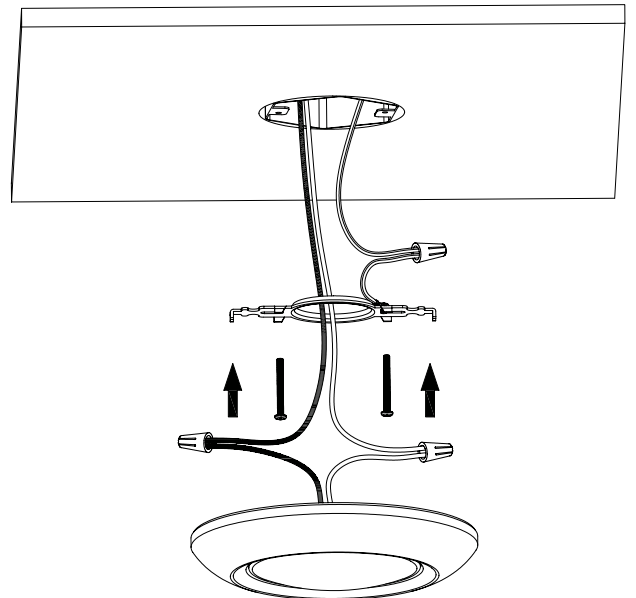
SURFACE MOUNTING INSTRUCTIONS

1. Before beginning the installation, make sure all power is off at the breaker box.
2. Connect the fixture black wire to the black supply wire, the white fixture wire to the white supply wire, and the fixture ground wire to the supply ground wire using wire nuts. Wrap all wire connections with electrical tape to ensure a secure connection. (Figure 1)
3. Thread the fixture screws into the holes of the junction box. (Figure 2)
4. Carefully tuck all wires back into the junction box. Raise the fixture up close to the keyhole slots and push in the downlight. (Figure 3)

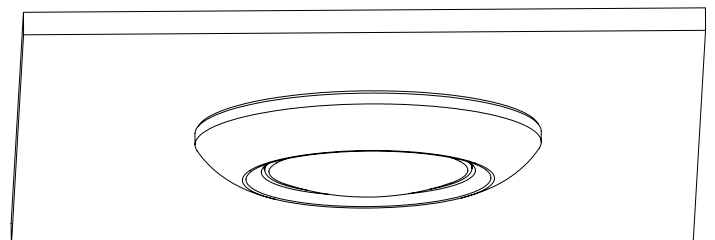
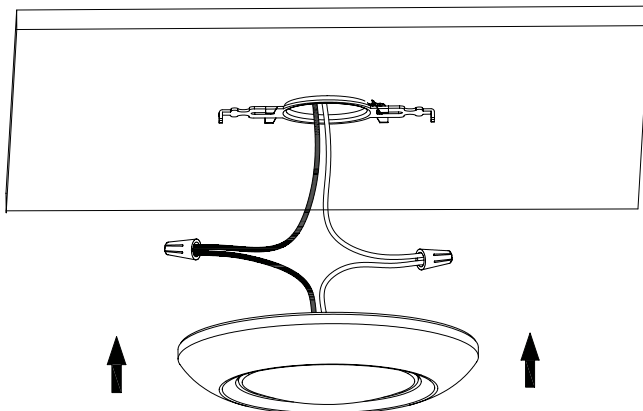
(Figure 1)



(Figure 2)



(Figure 3)



Specifications and dimensions subject to change without notice.