



IMPORTANT SAFETY WARNINGS



THE INSTALLATION MUST ONLY BE PERFORMED BY A LICENSED ELECTRICIAN. TO PREVENT DEATH, INJURY OR DAMAGE TO PROPERTY, THIS PRODUCT MUST BE INSTALLED IN ACCORDANCE TO NATIONAL ELECTRIC CODE (NFPA70) IN THE US OR CANADIAN ELECTRICAL CODE (CSA22.1) IN CANADA.

L'INSTALLATION NE DOIT ÊTRE EFFECTUÉE QUE PAR UN ÉLECTRICIEN AGRÉÉ. POUR PRÉVENIR LES DÉCÈS, LES BLESSURES OU LES DOMMAGES MATÉRIELS, CE PRODUIT DOIT ÊTRE INSTALLÉ CONFORMÉMENT AU CODE NATIONAL DE L'ÉLECTRICITÉ (NFPA70) AUX USA OU CODE CANADIEN DE L'ÉLECTRICITÉ (CSA22.1) AU CANADA.

CONSULT A QUALIFIED ELECTRICIAN TO ENSURE CORRECT BRANCH CIRCUIT CONDUCTOR.

CONSULTER UN ÉLECTRICIEN QUALIFIÉ POUR VOUS ASSURER QUE LES CONDUCTEURS DE LA DÉRIVATION SONT ADÉQUATS.

SUITABLE FOR WET LOCATIONS. SUITABLE FOR OPERATION IN AMBIENT NOT EXCEEDING 40°C (104°F).

CONVIENT AUX ENDROITS HUMIDES. PEUT ÊTRE UTILISÉ À UNE TEMPÉRATURE AMBIANTE N'EXCÉDANT PAS 40°C (104°F).

VAPOR BARRIER MUST BE SUITABLE FOR 90°C (194°F). ACCESS ABOVE CEILING REQUIRED.

LE PARE-VAPEUR DOIT CONVENIR POUR 90 °C (194°F). ACCÈS REQUIS AU-DESSUS DU PLAFOND.

CAUTION – RISK OF FIRE. MIN 75°C (167°F) SUPPLY CONDUCTORS.

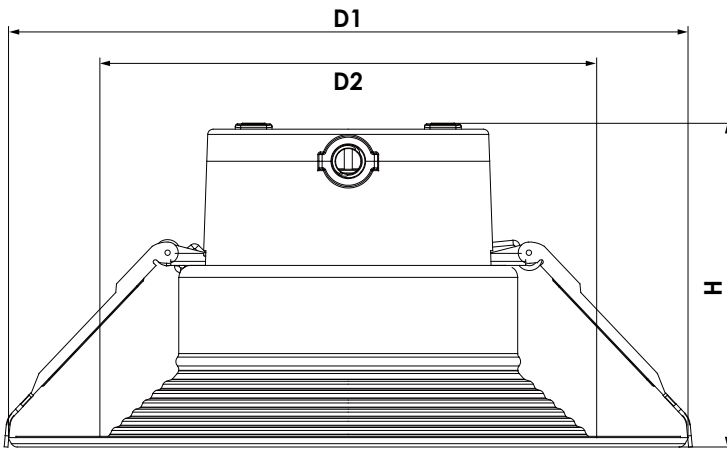
ATTENTION – RISQUE D'INCENDIE. LES FILS D'ALIMENTATION 75°C (167°F) MIN.

- To reduce the risk of death, personal injury or property damage from fire, electric shock, falling parts, cuts/abrasions, and other hazards please read all warnings and instructions included with and on the fixture box and all fixture labels.
- Follow all manufacturer's warnings, recommendations and restrictions for: driver type, burning position, mounting locations/methods, replacement and recycling.
- Wear gloves and safety glasses at all times when removing luminaire from carton, installing, servicing or performing maintenance.
- Disconnect or turn off power before installation or servicing the luminaire.
- Do not operate in close proximity to persons, combustible materials or substances affected by heat or drying.
- To prevent wiring damage or abrasion, do not expose wiring to edges of sheet metal or other sharp objects.
- Do not make or alter any open holes in an enclosure of wiring or electrical components during installation.
- DO NOT INSTALL DAMAGED PRODUCT! This luminaire has been properly packed so that no parts should have been damaged during transit. Inspect to confirm. Any part damaged during or after assembly should be replaced.
- Maintenance of the luminaires should be performed by person(s) familiar with the luminaires' construction and operation and any hazards involved. Regular fixture maintenance programs are recommended.
- It will occasionally be necessary to clean the outside of the refractor/lens. Frequency of cleaning will depend on ambient dirt level and minimum light output which is acceptable to user. Refractor/lens should be washed in a solution of warm water and any mild, non-abrasive household detergent, rinsed with clean water and wiped dry.
- Should optical assembly become dirty on the inside, wipe refractor/lens and clean in above manner, replacing damaged gaskets as necessary.
- These instructions do not purport to cover all details or variations in equipment nor to provide every possible contingency to meet in connection with installation, operation, or maintenance.

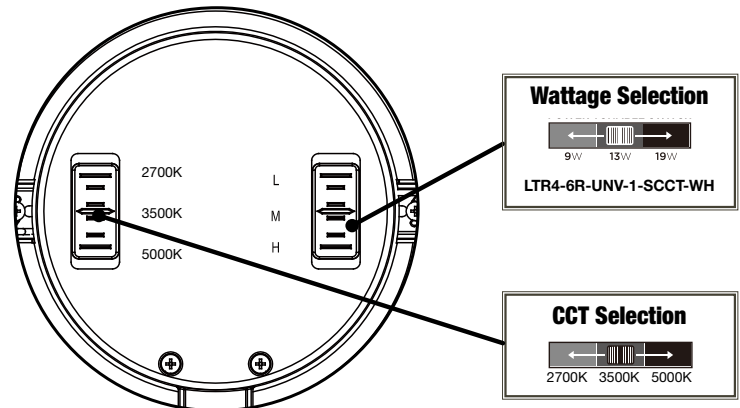
Specifications and dimensions subject to change without notice.

PRODUCT INFORMATION

US LED's L-Trim SOL XLE Select is an all-in-one LED downlight solution that delivers both value and performance for retrofits and new construction. It comes standard with selectable wattage and CCT allowing for in-the-field customization. The wattage and CCT switches are located on the back of the luminaire, allowing the user to choose their preferred settings prior to installation. The L-Trim SOL XLE Select is an ideal LED lighting solution for restaurants, retail, healthcare, educational facilities, and other commercial applications.



Diameter Size	D1	D2	H	Cut-Out	
				Min.	Max.
6" Round	8 7/16"	5 7/8"	4 7/16"	ø 6 1/8"	ø 7 3/16"



Specifications and dimensions subject to change without notice.

RETROFIT INSTALLATION

NOTE: Class 2 constant driver (risk of electric shock). Junction box needs to connect the ground wire.

Step 1: Make sure the POWER is TURNED OFF where you are installing the products.

Step 2: Choose the preferred CCT and WATTAGE via the switches on the back of the luminaire (FIG. 1).

Step 3: If the existing luminaire and trim are present, remove it from the ceiling or move it out of the way as it will not be needed during installation. Measure the ceiling opening to make sure the edge of the luminaire will cover the entire hole and sit firmly in the ceiling before proceeding (FIG. 2).

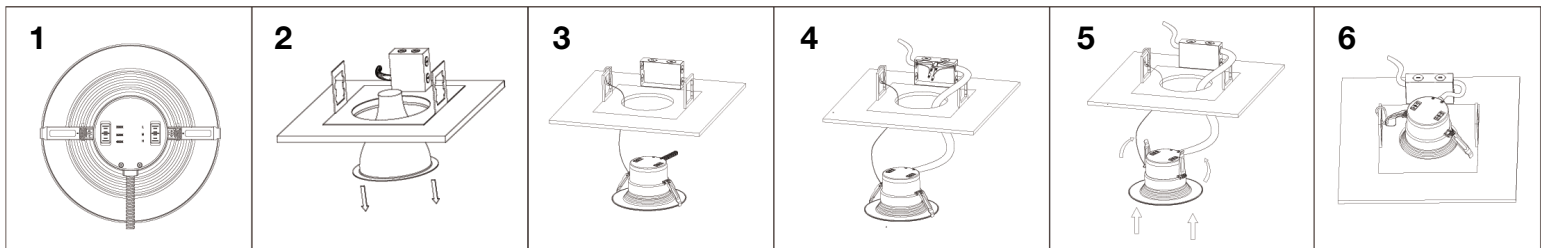
Step 4: Attach the carabiner safety clip to the existing fixture housing (FIG. 3).

Step 5: Insert luminaire conduit into the J-Box and wire to power source (black to hot, white to neutral, violet to 0-10V dimming positive, gray to 0-10V dimming negative) (FIG. 4). Reattach J-Box cover when done.

Step 6: Squeeze the two housing clips so they are in an upright position and insert the luminaire into housing (FIG. 5)

Step 7: Once luminaire is inside housing, release the housing clips and continue pushing luminaire into housing until securely fixed and flush with the ceiling (FIG. 6).

Step 8: Restore power at the source and the installation is complete.



NEW CONSTRUCTION INSTALLATION

NOTE: Class 2 constant driver (risk of electric shock). Junction box needs to connect the ground wire.

Step 1: Make sure the POWER is TURNED OFF where you are installing the products.

Step 2: Choose the preferred CCT and WATTAGE via the switches on the back of the luminaire (FIG. 1).

Step 3: Attach the carabiner safety clip to the existing fixture housing (FIG. 7).

Step 4: Insert luminaire conduit into the J-Box and wire to power source (black to hot, white to neutral, violet to 0-10V dimming positive, gray to 0-10V dimming negative) (FIG. 8). Reattach J-Box cover when done.

Step 5: Squeeze the two housing clips so they are in an upright position and insert the luminaire into opening (FIG. 9)

Step 6: Once luminaire is inside the opening, release the housing clips and continue pushing luminaire into opening until securely fixed and flush with the ceiling (FIG. 10).

Step 7: Restore power at the source and the installation is complete.

