

L-Trim Disk Downlight

LED Downlight Kit



Key Features

- LED disk downlight solution that easily integrates into any existing architecture.
- Kit fits into most existing 4", 5" and 6" recessed downlight fixtures.
- Suitable for use in wet locations.

Electrical

- 120VAC input.
- Triac dimming capable; Dim range 100-10%.
- Compatible with Leviton RDL06-10Z dimmer. For other compatible dimmers, consult factory.
- Power factor: >0.90

Mounting

- Downlight kit ready for dual installation; by J-Box or direct wire.
- Surface mount to standard 4" J-Box.

Construction

- Integrated trim with a white finish.
- Frosted lens helps to provide comfortable, uniform light distribution with minimal glare.

Optics

- Industry-leading LEDs with 3000K (minimum 80 CRI).
- Lumen Maintenance: 140,000 hours (L70) ¹

Warranty

- Backed by US LED's industry-leading Ten-Year Warranty.

Project Date

Catalog Number Type

Product Performance Summary

Lumen Output	Up to 1,012 lumens
Efficacy	Up to 84 LPW
CRI	≥ 90 CRI
Available CCT	3000K
Warranty	Ten-Year Warranty

Product Overview

The L-Trim LED Light Disk is a budget-friendly downlight kit that produces quality illumination for new construction and retrofit projects. With multiple installation options, this downlight kit is ready to be used in recessed and surface mount applications.

Product Applications

- Hospitality
- Retail
- Restaurants
- Office Spaces
- Conference Rooms
- Hallways/Corridors
- Healthcare
- General Commercial

Product Certifications

- ETL Listed
- Complies with UL1598 and CSA 22.2
- Suitable for Wet Locations
- Energy Star Certified
- RoHS Compliant
- FCC Compliant
- Compliant with CEC Title 20 Efficiency Standards
- Compliant with CEC Title 24 High Efficacy LED Light Source Requirements JA8



Ordering Information

Example: USCD1-12-30

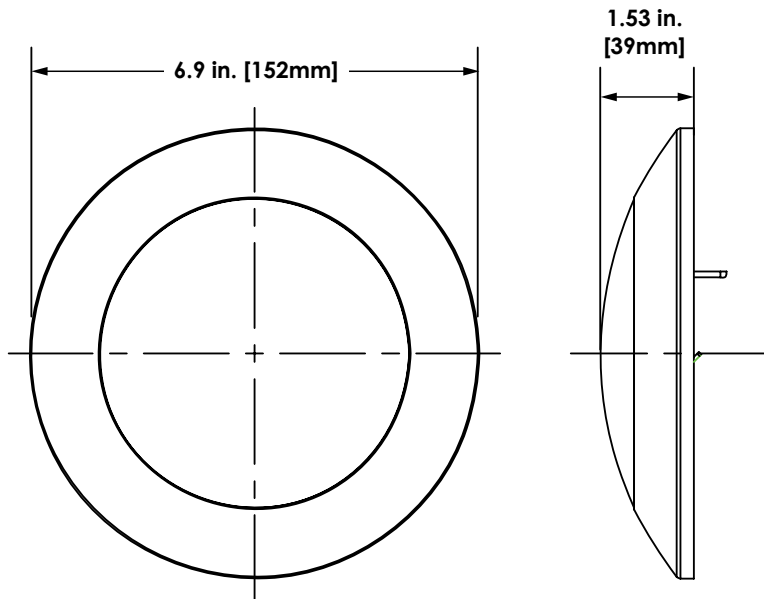
USCD1	<input type="text"/>	<input type="text"/>
Series	Size/Wattage	CCT
	12 6" Round 12 W	30 3000K

¹. US LED product 'Lifetimes' refer only to the LED light engine, not the power source, and are based on the Illuminating Engineering Society's TM21 Projected Lumen Maintenance methodology at a 25° C / 77° F ambient temperature. The lifetimes are solely meant to be a guide for expected LED degradation and not a warranty or predictive of their actual life, which can be affected by ambient temperatures and other factors.

L-Trim Disk Downlight

LED Downlight Kit

Dimensions



Performance Data

Model	USCD1-12-30
System Level Power	12W
Delivered Lumens	1,012
Efficacy	84 LPW
Available CCT	3000K
L70 Calculated Life	140,000 Hours

Luminous Intensity Distribution Diagram

