

VaporStar

Vapor Tight Enclosed LED Light



Key Features

- Enclosed and gasketed luminaire that utilizes highly-efficient LED technology.
- Gasket and cam latches seal the enclosure, making it weather resistant and corrosion free for wet locations.
- Knockouts and end plugs provided for easy wiring access in the field.

Electrical

- 120-277VAC 50/60Hz input.
- 0-10V dimming standard.
- Power factor: >0.90 and THD <20%.
- Operating temperature: -40°C to 40°C (-40°F to 104°F).

Mounting

- Ready to be surface mounted, pendant mounted or safety chain hung.
- Ideal mounting height of 12 to 25 feet.

Construction

- Gray housing and opal lens is impact-resistant polycarbonate for durability and reliability.
- (8) Stainless steel cam latches standard.
- IP65 rated enclosure prevents intrusion from environmental elements that could degrade performance.

Optics

- Industry-leading LEDs with 3000K, 4000K or 5000K CCT (minimum 82 CRI).
- Lumen Maintenance: >161,000 hours (L70).¹

Warranty

- Backed by US LED's Five-Year Warranty.

Project	Date
---------	------

Catalog Number	Type
----------------	------

Product Performance Summary

Lumen Output	Up to 5,200 lumens
Efficacy	Up to 130 LPW
CRI	≥ 82 CRI
Available CCT	3000K, 4000K, 5000K
Warranty	Five-Year Warranty

Product Overview

The VaporStar is a low-profile, linear LED luminaire that's designed for industrial use. Engineered for durability and reliability in wet locations, the VaporStar features an impact-resistant polycarbonate housing and lens. In addition, this enclosed and gasketed linear luminaire is designed to be weather resistant, corrosion-free, and easy to clean or service. As a result, the VaporStar is the ideal choice for industrial or manufacturing areas, refrigeration, parking garages, and other commercial and industrial applications.

Product Applications

- Parking Garages
- Refrigeration/Freezers
- Manufacturing/Industrial
- Retail Centers
- Educational Facilities
- Business Campuses

Product Certifications

- UL Listed
- CSA Listed
- NSF Certified
- Suitable for Wet Locations
- IP65 Rated Enclosure
- RoHS Compliant



Ordering Information

Example: **VTF1-1-4-UNVL-40-2-50**

Series	Variant	Size	Input Voltage	Power	Driver	CCT						
VTF1	1	Standard	4	4 ft.	UNVL	120-277V	40	40W	2	iNFIni Driver 0-10V	30	3000K ²
							55	55W			40	4000K ²
											50	5000K

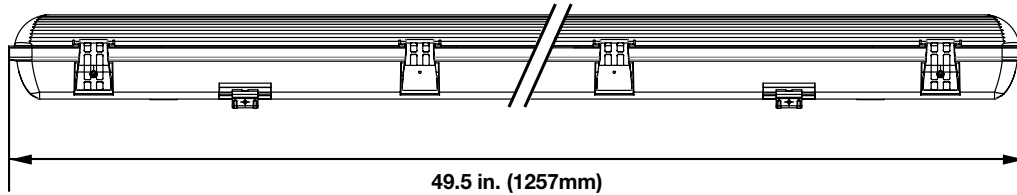
Accessories	
B	Emergency Battery Backup
MS	Motion Sensor
CC	Casambi-Enabled Control

1. Product 'Lifetimes' refer only to the LED light engine, not the power source, and are based on the Illuminating Engineering Society's TM21 Projected Lumen Maintenance methodology at a 25° C / 77° F ambient temperature. The lifetimes are solely meant to be a guide for expected LED degradation and not a warranty or predictive of their actual life, which can be affected by ambient temperatures and other factors.
2. 3000K and 4000K CCT options may require additional manufacturing lead time. Please contact US LED for current availability.

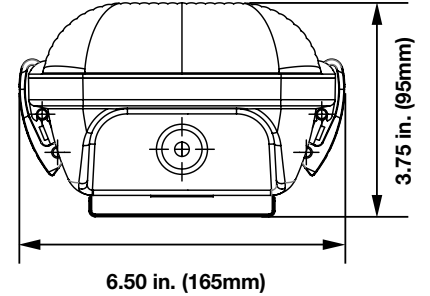
Dimensions

Net Weight
7.0 lbs. (3.18kg)

Side View

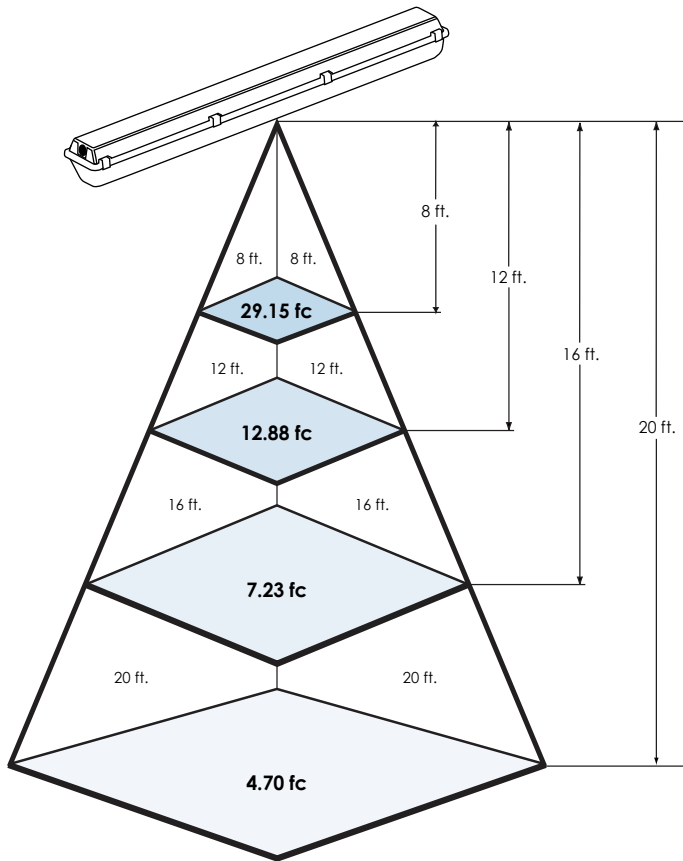


End View



Performance Data

Model	System Level Power	Delivered Lumens	Efficacy	CCT	L70 Calculate Life	L85 Calculate Life
VTF1-1-4-UNVL-40-2-50	40.0W	5,200L	130 LPW	5000K	161,000 Hours	75,000 Hours



Room Model	Mounting Height	AVG.	MAX.	MIN.
8 ft. x 8 ft.	8 ft.	29.15 fc	34.6 fc	24.0 fc
12 ft. x 12 ft.	12 ft.	12.88 fc	15.8 fc	9.7 fc
16 ft. x 16 ft.	16 ft.	7.23 fc	9.00 fc	5.20 fc
20 ft. x 20 ft.	20 ft.	4.70 fc	5.90 fc	3.30 fc

Illumination level calculations are of luminaires tested to IESNA LM-79 standards by an NVLAP® accredited facility and Illuminating Engineering Society standard practices. The performance of any US LED luminaire may vary based on varying application conditions.

Accessories

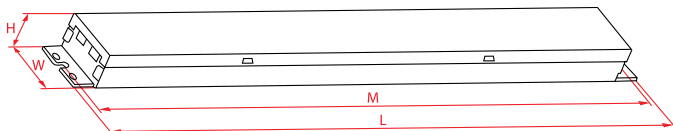


Emergency Battery Backup [Option B] ACE LEDS | ACE-G10B-180CP

Key Features

- Constant output power: Constant emergency light levels over full 90-minute runtime and over output voltage range.
- Includes input over voltage surge protection, output short circuit, open circuit, and over-voltage protection, as well as over-temperature protection for improved reliability.
- Includes a miniature illuminated test switch status indicator: Enables mounting in small spaces.

Output Power Max	10W
Input Power	7W
Input Current Max	140 mA
Emergency Operation	90 Minutes
Battery	LiFePO4 24 Hour Recharge 7 to 10 year Life Expectancy
Input Voltage	120-277 VAC 50/60Hz
Ambient Operating Temp.	0°C Through 55°C
UL Listed For US/Canada	UL and cUL (UL924) Emergency LED Driver



Product Dimensions			
Length	15.55"	Height	1.16"
Width	1.49"	Mounting Length	15.23"

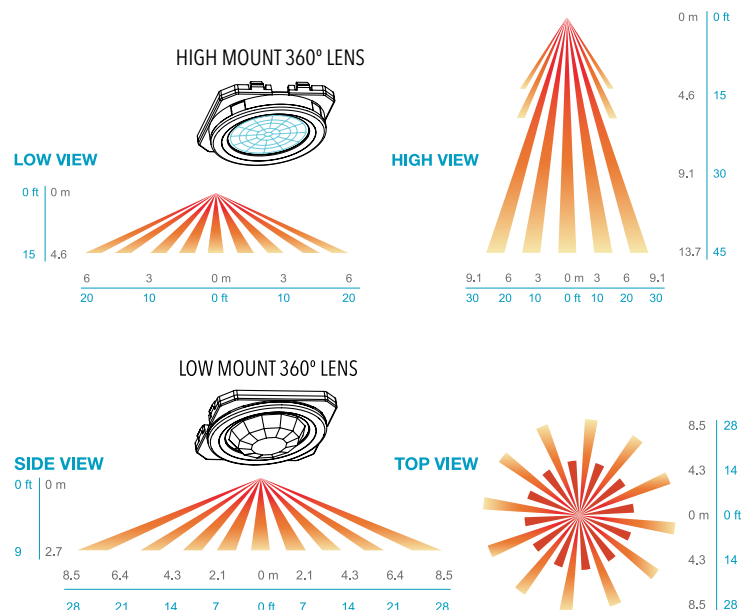


Motion Sensor [Option MS] SensorSwitch | LSXR 610 ADC

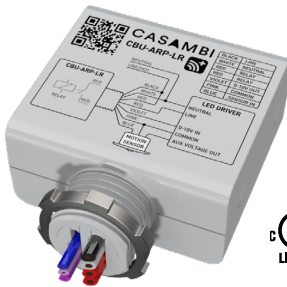
Key Features

- 100% digital PIR detection - provides excellent RF immunity
- No PIR field calibration or sensitivity adjustments required
- Powers from single or two-phase line connections
- Photocell and 0-10 VDC dimming options
- Digital push-button programming
- Default 10 minute occupancy time delay

# of Relays	1
Photocell	Yes
0-10 VDC Dimming	Yes
Power	120-277 VAC (MVOLT)
Included Lenses	High Mount 360° Low Mount 360°
Notes On Operation	Occ. - On/Off (if relay is wired) or ~0V (if relay is not wired) Photocell - Dim to Off (if relay is wired or ~0V (if relay is not wired)



Accessories



Casambi-Enabled Control [Option CC] Casambi | CBU-ARP-LR

Key Features

- The CBU-ARP-LR is a Bluetooth-controlled, Casambi-enabled, long-range, one-channel 0-10V controller with built-in 2.0 A relay and a motion sensor input. It can be installed outside of a metal switch box, inside a luminaire, or into a ceiling outlet box.
- CBU-ARP-LR can be controlled with Casambi app, available for iOS/Android devices, as well as with wall switches.

Voltage Range	120-277VAC
Frequency	50-60 Hz
Max. Mains Current	40 mA
No-Load Standby Power	<0,5W
Input Voltage	12-24 VDC
Input Current	2-5 mA
Output Voltage, 0-10V	0-10 VDC, max 7 mA
Output Voltage, DALI	12 VDC, max 20 mA (sourcing)
Operating Frequencies	2.402...2.480 Ghz
Weight	4 oz. (110g)

