

L-Trim SOL XLE Select

LED Downlight | Selectable Wattage & CCT



Key Features

- Versatile LED downlight engineered for both new construction and retrofit projects.
- Selectable switch for wattage and CCT.
- Diffused lens helps to provide comfortable, uniform light distribution.
- Suitable for use in outdoor wet locations.

Electrical

- 120-277VAC input.
- 0-10V dimming standard.
- Power factor: >0.70 and THD <20%.
- Operating temperature: -30°C to 40°C (-22°F to 104°F).

Mounting

- Mounts directly into ceiling with spring action clips (IC rated).

Construction

- Die-cast aluminum and polycarbonate housing offers a deep baffle configuration.
- Includes integrated singular trim ring in a white matte finish.
- Includes pre-installed flex conduit lead.
- Frosted plastic lens reduces glare.

Optics

- Industry-leading LEDs with selectable CCT: 2700K, 3000K, 3500K, 4000K, and 5000K CCT (minimum 90 CRI).
- 100° Beam Angle
- Lumen Maintenance: ≥ 60,000 hours (L70) ¹

Warranty

- Backed by US LED's industry-leading Ten-Year Warranty.

Project _____ Date _____

Catalog Number _____ Type _____

Product Performance Summary

Lumen Output	Up to 2,500 lumens
Efficacy	Up to 112 LPW
CRI	≥ 90 CRI
Available CCT	Selectable CCT: 2700K, 3000K, 3500K, 4000K & 5000K
Warranty	Ten-Year Warranty

Product Overview

The L-Trim SOL XLE Select (LTR4) is an all-in-one LED downlight solution that delivers value and performance for retrofits and new construction. It comes standard with selectable wattage and CCT, allowing for in-the-field customization. The L-Trim SOL XLE Select is an ideal LED lighting solution for restaurants, retail, healthcare, educational facilities, and other commercial applications.

Product Applications

- Restaurants
- Office Spaces
- Conference Rooms
- Hallways/Corridors
- Hospitality
- Healthcare
- Retail Areas
- General Commercial

Product Certifications

- ETL Listed
- Complies with UL1598 and CSA 22.2
- Suitable for wet locations
- Energy Star Certified
- IC Rated for direct contact with insulation
- RoHS compliant



Ordering Information

Example: LTR4-6R-UNV-2-SCCT-WH

Series	Size	Input Voltage	Variant	Selectable CCT	Trim Color
LTR4	<input type="text"/>	<input type="text"/>	<input type="text"/>	<input type="text"/>	<input type="text"/>
4R	4" Round	UNV 120-277V	2 Standard	SCCT Selectable CCT: 2700K, 3000K, 3500K, 4000K & 5000K	WH White
6R	6" Round				
8R	8" Round				

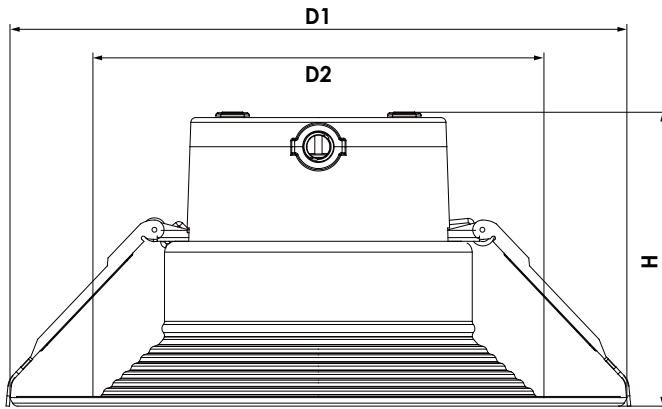
1. US LED product 'lifetimes' refer only to the LED light engine, not the power source, and are based on the Illuminating Engineering Society's TM21 Projected Lumen Maintenance methodology at a 25° C / 77° F ambient temperature. The lifetimes are solely meant to be a guide for expected LED degradation and not a warranty or predictive of their actual life, which can be affected by ambient temperatures and other factors.

L-Trim SOL XLE Select

LED Downlight | Selectable Wattage & CCT



Dimensions



Diameter Size	D1	D2	H	Cut-Out	
				Min.	Max.
4" Round	5 ¹⁵ / ₁₆ "	4 ⁷ / ₈ "	4 ¹ / ₁₆ "	∅ 4 ¹⁵ / ₁₆ "	∅ 5 ⁷ / ₈ "
6" Round	8 ⁷ / ₁₆ "	5 ⁷ / ₈ "	4 ⁷ / ₁₆ "	∅ 6 ¹ / ₈ "	∅ 7 ³ / ₁₆ "
8" Round	10"	7 ¹ / ₁₀ "	5 ¹ / ₁₀ "	∅ 7 ³ / ₁₀ "	∅ 9 ³ / ₈ "

Performance Data

Model	System Level Power	Wattage	Delivered Lumens	Efficacy	CCT	L70 Calculated Life
LTR4-4R-UNV-2-SCCT-WH (4" Round)	6W	6.0W	595.0	99.2 LPW	4000K	≥ 60,000 Hours
		6.1W	600.0	98.4 LPW	5000K	≥ 60,000 Hours
	9W	9.0W	844.0	93.8 LPW	4000K	≥ 60,000 Hours
		9.0W	850.0	94.4 LPW	5000K	≥ 60,000 Hours
	12W	12.1W	1,092.0	90.2 LPW	4000K	≥ 60,000 Hours
		12.0W	1,100.0	91.7 LPW	5000K	≥ 60,000 Hours
LTR4-6R-UNV-2-SCCT-WH (6" Round)	9W	8.5W	955.0	112.4 LPW	4000K	≥ 60,000 Hours
		8.7W	968.0	111.3 LPW	5000K	≥ 60,000 Hours
	13W	13.3W	1,450.0	109.0 LPW	4000K	≥ 60,000 Hours
		13.7W	1,439.0	105.0 LPW	5000K	≥ 60,000 Hours
	19W	17.4W	1,840.0	105.7 LPW	4000K	≥ 60,000 Hours
		18.1W	1,803.0	99.6 LPW	5000K	≥ 60,000 Hours
LTR4-8R-UNV-2-SCCT-WH (8" Round)	16W	15.9W	1,491.0	93.7 LPW	4000K	≥ 60,000 Hours
		16.1W	1,500.0	93.2 LPW	5000K	≥ 60,000 Hours
	22W	21.9W	1,979.0	90.4 LPW	4000K	≥ 60,000 Hours
		22.0W	2,000.0	90.9 LPW	5000K	≥ 60,000 Hours
	29W	28.9W	2,482.0	85.9 LPW	4000K	≥ 60,000 Hours
		28.8W	2,500.0	86.8 LPW	5000K	≥ 60,000 Hours