

PCLS

LED RGB Sports Lighting



Key Features

- Combines superior performance and advanced thermal management in an appealing design.
- Versatile mounting options provide operational flexibility for any outdoor installation.
- Additional intelligent lighting controls and monitoring capabilities available.

Electrical

- 277-480V available.
- 0-10V dimming standard.
- Operating temperature: -40°C to 50°C (-40°F to 122°F).

Mounting

- Trunnion mount, universal mount, or adjustable slip fitter mount available.

Construction

- Rugged die-cast aluminum design protects integral components from harsh environments and optimizes thermal management.
- Housing is protected by a corrosion resistant powder coat finish.
- IP66 rated optics offer protection from outdoor conditions.

Optics

- Industry-leading RGB LEDs (Red/Green/Blue).
- Available Beam Angles: 15°, 20°, 35°, & 55°
- Lumen Maintenance: ≥50,000 Hours (L70).¹

Warranty

- Backed by US LED's Five-Year Warranty.

Project	Date
---------	------

Catalog Number	Type
----------------	------

PCLS RGB Lumen Outputs	
LED Type	Lumen Output
Red LEDs	4,388
Blue LEDs	2,231
Green LEDs	31,838
White LEDs	25,610

Product Overview

The PCLS RGB sports & flood light will give you the game-changing performance you need to professionally illuminate any sports venue. With multiple beam angles and mounting options, you'll get the light exactly where it's needed the most - right in the middle of the action! If you are ready for the next level of athletic performance, there are additional intelligent lighting controls available.

Product Applications

- University Arenas
- Collegiate Arenas
- Pro Arenas
- Sports Fields
- Tennis Courts
- Gymnasiums
- Field Houses
- Recreation Areas
- High Mast Lighting
- Security Lighting

Product Certifications

- UL Listed
- Complies with UL1598 and CSA C22.2
- Suitable for Wet Locations (IP66 Rated)
- RoHS Compliant



Ordering Information

Series	Model	Input Voltage	CCT	Finish	Mounting	Beam Angle
PCLS	800					
	UNVH	277-480V	RGB ² RGB/RGBW	BK Black	Z1 Trunnion	15 15°
					Z2 Universal Mount	20 20°
						35 35°
					Z3 Slip Fitter Pole Mount	55 55°

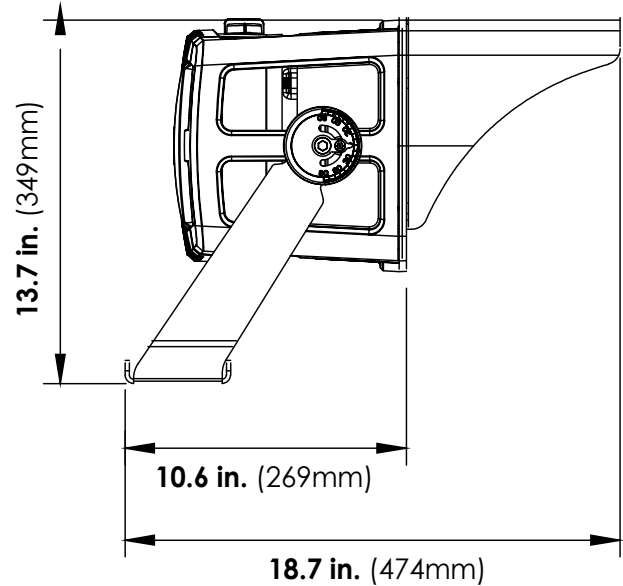
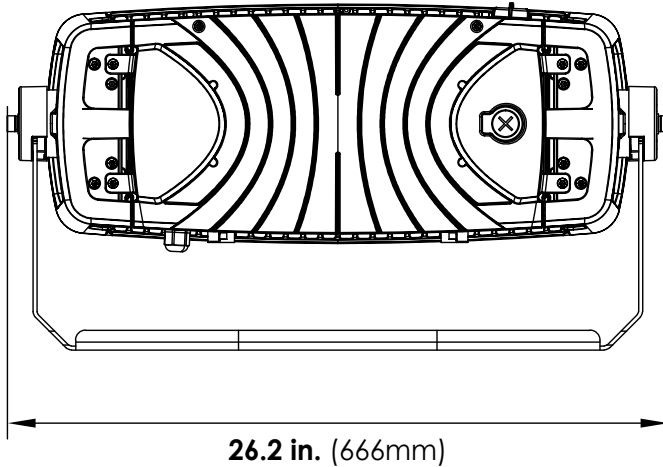
Example: PCLS-800-UNVH-RGB-BK-Z1-55

Accessories	
SH	Light Shield/Visor
D1	Aiming Laser
D2	Wireless Control
C	Casambi-Enabled DMX Control

1. US LED product 'Lifetimes' refer only to the LED light engine, not the power source, and are based on the Illuminating Engineering Society's TM21 Projected Lumen Maintenance methodology at a 25° C / 77° F ambient temperature. The lifetimes are solely meant to be a guide for expected LED degradation and not a warranty or predictive of their actual life, which can be affected by ambient temperatures and other factors.

Dimensions

Net Weight	EPA Rating
49.05 lbs. [22.25kg]	2.0 ft. ²



Optical Performance Data

PCLS 800W RGB Lumen Outputs		
LED Type	Wattage	Lumen Output
Red LEDs	219.3W	4,388.7
Blue LEDs	200.0W	2,231.0
Green LEDs	207.9W	31,838.0
White LEDs	189.3W	25,610.3

- RGB intensely saturated color light (Red/Green/Blue).
- 800W total output (nominal wattage).
- Available beam angles: 15-20° (NEMA2 Narrow), 35° (NEMA3 Medium Narrow), 55° (NEMA4 Medium)

Mounting & Accessories

Light Shelf/Visor [SH]



Trunnion Mount [Z1]



Universal Mount [Z2]



Adjustable Slip Fitter Pole Mount [Z3]

