



IMPORTANT SAFETY WARNINGS



THE INSTALLATION MUST ONLY BE PERFORMED BY A LICENSED ELECTRICIAN. TO PREVENT DEATH, INJURY OR DAMAGE TO PROPERTY, THIS PRODUCT MUST BE INSTALLED IN ACCORDANCE TO NATIONAL ELECTRIC CODE (NFPA70) IN THE US OR CANADIAN ELECTRICAL CODE (CSA22.1) IN CANADA.

L'INSTALLATION NE DOIT ÊTRE EFFECTUÉE QUE PAR UN ÉLECTRICIEN AGRÉÉ. POUR PRÉVENIR LES DÉCÈS, LES BLESSURES OU LES DOMMAGES MATÉRIELS, CE PRODUIT DOIT ÊTRE INSTALLÉ CONFORMÉMENT AU CODE NATIONAL DE L'ÉLECTRICITÉ (NFPA70) AUX USA OU CODE CANADIEN DE L'ÉLECTRICITÉ (CSA22.1) AU CANADA.

CONSULT A QUALIFIED ELECTRICIAN TO ENSURE CORRECT BRANCH CIRCUIT CONDUCTOR.

CONSULTER UN ÉLECTRICIEN QUALIFIÉ POUR VOUS ASSURER QUE LES CONDUCTEURS DE LA DÉRIVATION SONT ADÉQUATS.

SUITABLE FOR DAMP LOCATIONS. SUITABLE FOR OPERATION IN AMBIENT NOT EXCEEDING 45°C (113°F).

CONVIENT AUX EMPLACEMENTS HUMIDES. PEUT ÊTRE UTILISÉ À UNE TEMPÉRATURE AMBIANTE N'EXCÉDANT PAS 45°C (113°F).

VAPOR BARRIER MUST BE SUITABLE FOR 90°C (194°F). ACCESS ABOVE CEILING REQUIRED.

LE PARE-VAPEUR DOIT CONVENIR POUR 90 °C (194°F). ACCÈS REQUIS AU-DESSUS DU PLAFOND.

CAUTION – RISK OF FIRE. MIN 75°C (167°F) SUPPLY CONDUCTORS.

ATTENTION – RISQUE D'INCENDIE. LES FILS D'ALIMENTATION 75°C (167°F) MIN.

- To reduce the risk of death, personal injury or property damage from fire, electric shock, falling parts, cuts/abrasions, and other hazards please read all warnings and instructions included with and on the fixture box and all fixture labels.
- Follow all manufacturer's warnings, recommendations and restrictions for: driver type, burning position, mounting locations/methods, replacement and recycling.
- Wear gloves and safety glasses at all times when removing luminaire from carton, installing, servicing or performing maintenance.
- Disconnect or turn off power before installation or servicing the luminaire.
- Allow lamp/fixture to cool before handling.
- Do not exceed maximum wattage marked on the label.
- Do not operate in close proximity to persons, combustible materials or substances affected by heat or drying.
- Verify that supply voltage is correct by comparing it with the label information.
- Wiring connections should be capped with UL-approved wire connectors.
- DO NOT INSTALL DAMAGED PRODUCT! This luminaire has been properly packed so that no parts should have been damaged during transit. Inspect to confirm. Any part damaged during or after assembly should be replaced.
- Maintenance of the luminaires should be performed by person(s) familiar with the luminaires' construction and operation and any hazards involved. Regular fixture maintenance programs are recommended.
- It will occasionally be necessary to clean the outside of the refractor/lens. Frequency of cleaning will depend on ambient dirt level and minimum light output which is acceptable to user. Refractor/lens should be washed in a solution of warm water and any mild, non-abrasive household detergent, rinsed with clean water and wiped dry.
- Should optical assembly become dirty on the inside, wipe refractor/lens and clean in above manner, replacing damaged gaskets as necessary.
- These instructions do not purport to cover all details or variations in equipment nor to provide every possible contingency to meet in connection with installation, operation, or maintenance.

Specifications and dimensions subject to change without notice.

METHOD #1 SURFACE MOUNT INSTRUCTIONS

1. Fix one side of the accessory safety rope on the back of the fixture(Figure 1).
2. Use electric drill to set fixed holes through the ceiling(Figure 2).
3. Fix another side of safety rope on the ceiling, then connect the wire of fixture to main supply according to local electrical connection mode, make sure good protection on the wire joint, after that, fix the fixture on the ceiling with accessory screws(Figure 3).

WIRING DIAGRAM:

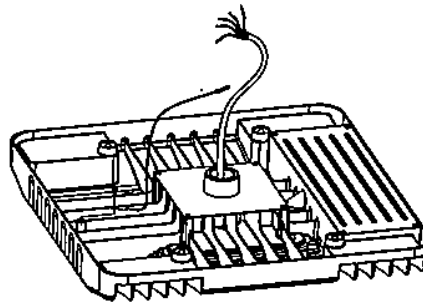
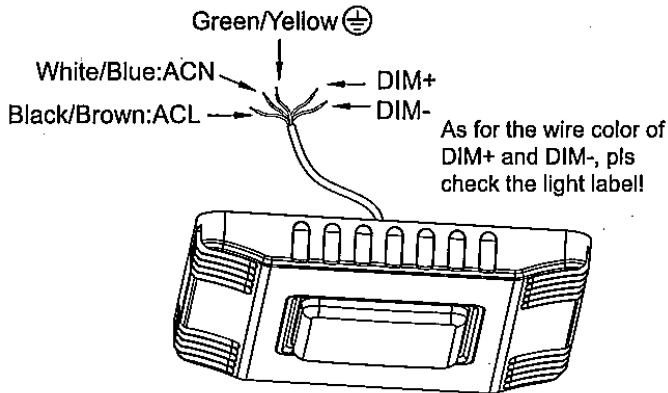


FIGURE 1



FIGURE 2

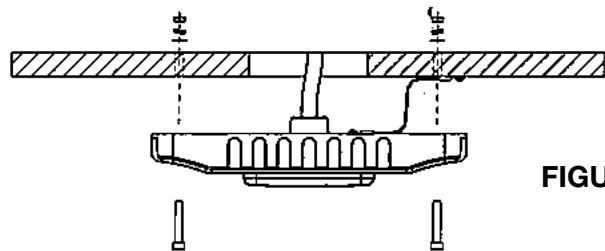
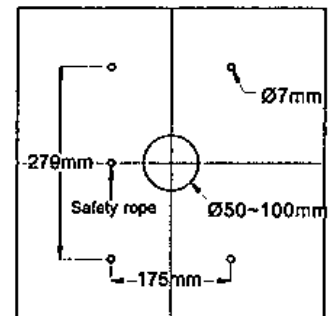


FIGURE 3

METHOD #2 PENDANT MOUNT INSTRUCTIONS

1. Connect the wiring to the local power supply in the 3/4" NPT Stem (Figure 4).
2. Screw the fixture to the 3/4" NPT Stem (Figure 5).

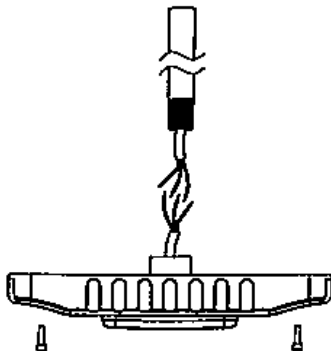


FIGURE 4

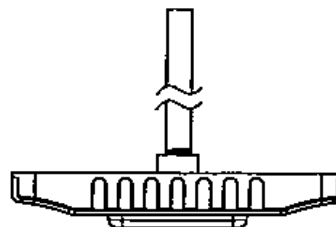


FIGURE 5

Specifications and dimensions subject to change without notice.

METHOD #3 MOUNTING BRACKET INSTRUCTIONS

PENDANT MOUNT

- I: 1. Fix the mounting bracket on the back of fixture by supplied screws. (Figure 6)
2. Unscrew the nut from customer supplied 3/4"NPT stem, make the stem hole on mounting bracket through 3/4"NPT stem, then screw the nut back to 3/4"NPT, and fix it. (Figure 7)
3. Make wiring connections per "Electrical Connections" section and make sure the good wire protection.

FIGURE 6

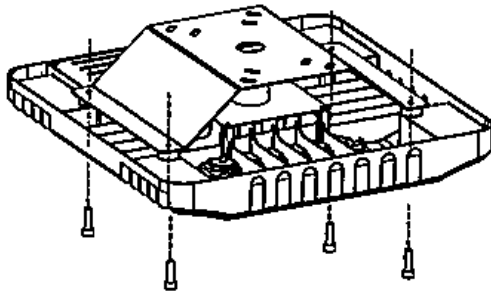
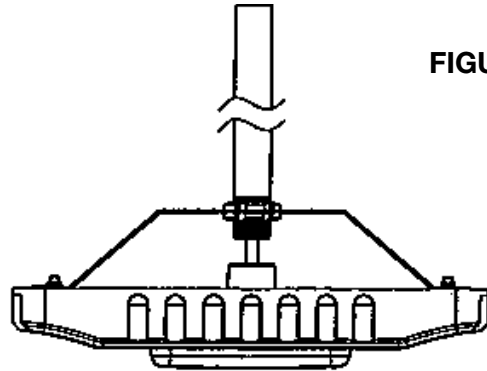


FIGURE 7



SURFACE MOUNT

- II: 1. Drill the alignment holes on the top ceiling, make them match to the holes on mounting bracket. (Figure 8)
2. Insert the supplied rubbers into the alignment holes, then fix the mounting plate on the ceiling by supplied screws. (Figure 9)
3. Mount the fixture on the mounting plate by supplied screws. (Figure 10)
4. Make wiring connections per "Electrical Connections" section and make sure the good wire protection.

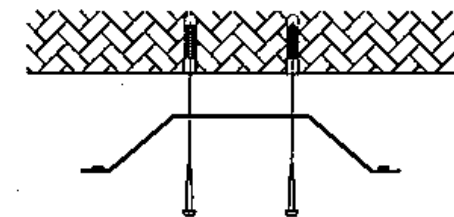
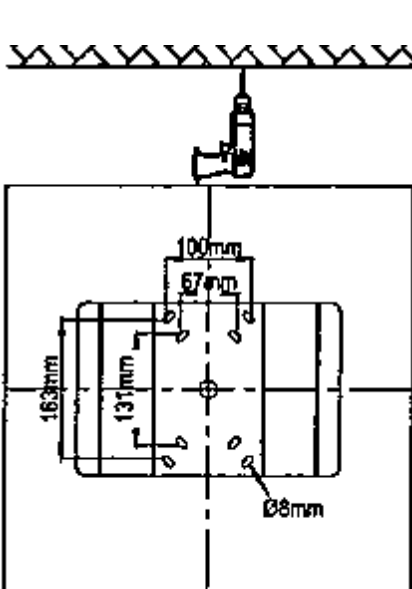


FIGURE 9

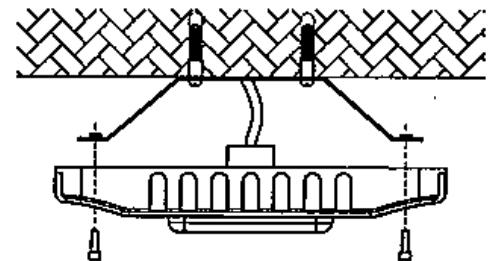


FIGURE 10

FIGURE 8

Specifications and dimensions subject to change without notice.