



IMPORTANT SAFETY WARNINGS



THE INSTALLATION MUST ONLY BE PERFORMED BY A LICENSED ELECTRICIAN. TO PREVENT DEATH, INJURY OR DAMAGE TO PROPERTY, THIS PRODUCT MUST BE INSTALLED IN ACCORDANCE TO NATIONAL ELECTRIC CODE (NFPA70) IN THE US OR CANADIAN ELECTRICAL CODE (CSA22.1) IN CANADA.

L'INSTALLATION NE DOIT ÊTRE EFFECTUÉE QUE PAR UN ÉLECTRICIEN AGRÉÉ. POUR PRÉVENIR LES DÉCÈS, LES BLESSURES OU LES DOMMAGES MATÉRIELS, CE PRODUIT DOIT ÊTRE INSTALLÉ CONFORMÉMENT AU CODE NATIONAL DE L'ÉLECTRICITÉ (NFPA70) AUX USA OU CODE CANADIEN DE L'ÉLECTRICITÉ (CSA22.1) AU CANADA.

CONSULT A QUALIFIED ELECTRICIAN TO ENSURE CORRECT BRANCH CIRCUIT CONDUCTOR.

CONSULTER UN ÉLECTRICIEN QUALIFIÉ POUR VOUS ASSURER QUE LES CONDUCTEURS DE LA DÉRIVATION SONT ADÉQUATS.

SUITABLE FOR DAMP LOCATIONS. SUITABLE FOR OPERATION IN AMBIENT NOT EXCEEDING 45°C (113°F).

CONVIENT AUX EMPLACEMENTS HUMIDES. PEUT ÊTRE UTILISÉ À UNE TEMPÉRATURE AMBIANTE N'EXCÉDANT PAS 45°C (113°F).

VAPOR BARRIER MUST BE SUITABLE FOR 90°C (194°F). ACCESS ABOVE CEILING REQUIRED.

LE PARE-VAPEUR DOIT CONVENIR POUR 90 °C (194°F). ACCÈS REQUIS AU-DESSUS DU PLAFOND.

CAUTION – RISK OF FIRE. MIN 75°C (167°F) SUPPLY CONDUCTORS.

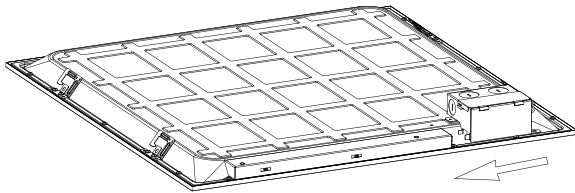
ATTENTION – RISQUE D'INCENDIE. LES FILS D'ALIMENTATION 75°C (167°F) MIN.

- To reduce the risk of death, personal injury or property damage from fire, electric shock, falling parts, cuts/abrasions, and other hazards please read all warnings and instructions included with and on the fixture box and all fixture labels.
- Follow all manufacturer's warnings, recommendations and restrictions for: driver type, burning position, mounting locations/methods, replacement and recycling.
- Wear gloves and safety glasses at all times when removing luminaire from carton, installing, servicing or performing maintenance.
- Disconnect or turn off power before installation or servicing the luminaire.
- Allow lamp/fixture to cool before handling.
- Do not exceed maximum wattage marked on the label.
- Do not operate in close proximity to persons, combustible materials or substances affected by heat or drying.
- Verify that supply voltage is correct by comparing it with the label information.
- Wiring connections should be capped with UL-approved wire connectors.
- DO NOT INSTALL DAMAGED PRODUCT! This luminaire has been properly packed so that no parts should have been damaged during transit. Inspect to confirm. Any part damaged during or after assembly should be replaced.
- Maintenance of the luminaires should be performed by person(s) familiar with the luminaires' construction and operation and any hazards involved. Regular fixture maintenance programs are recommended.
- It will occasionally be necessary to clean the outside of the refractor/lens. Frequency of cleaning will depend on ambient dirt level and minimum light output which is acceptable to user. Refractor/lens should be washed in a solution of warm water and any mild, non-abrasive household detergent, rinsed with clean water and wiped dry.
- Should optical assembly become dirty on the inside, wipe refractor/lens and clean in above manner, replacing damaged gaskets as necessary.
- These instructions do not purport to cover all details or variations in equipment nor to provide every possible contingency to meet in connection with installation, operation, or maintenance.

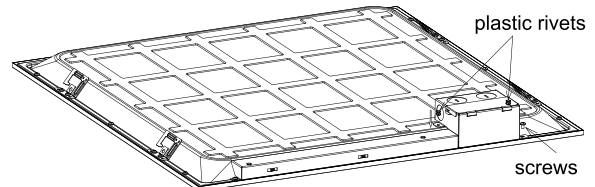
Specifications and dimensions subject to change without notice.

CEILING INSTALLATION INSTRUCTIONS (1 OF 2)

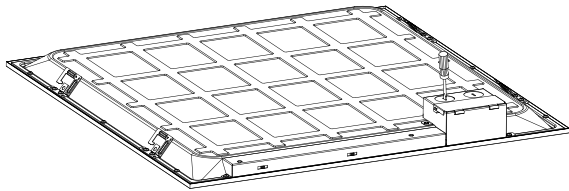
- 1.a. Turn off the power at the main fuse/breaker box.
- b. Carefully open carton and remove fixture from packaging.
- c. On the back side of fixture, locate junction box.



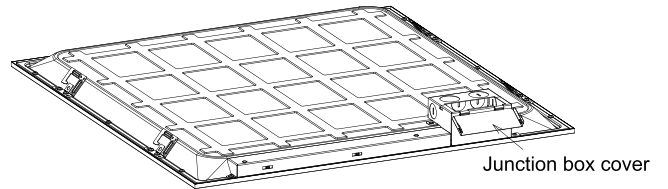
2. Secure the junction box with plastic rivets, then lock the fastening screws.



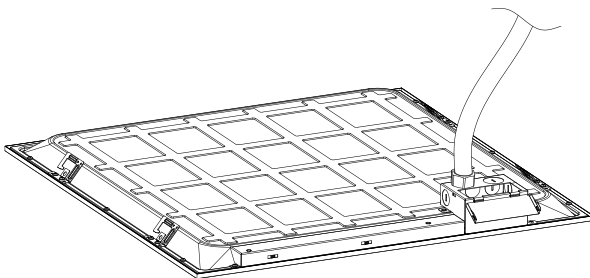
3. Punch out the knock out hole on the junction box.



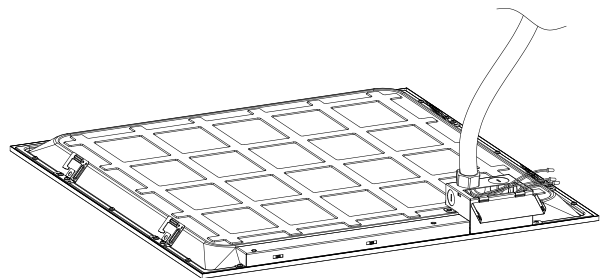
4. Open the junction box cover.



5. Insert the power cord with metal tubing into the junction box through the hole and snap the threaded metal tubing head into the hole.



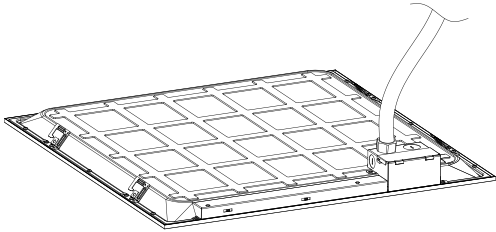
6. Connect power cord to line voltage.



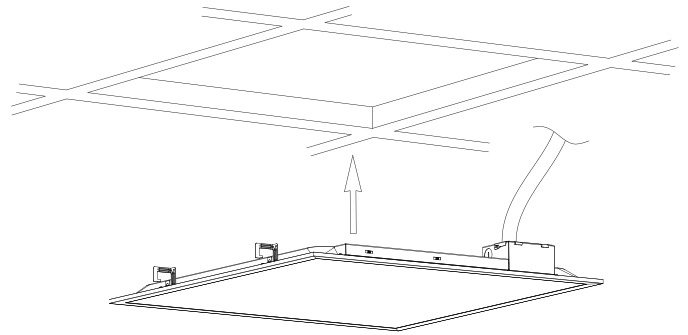
Specifications and dimensions subject to change without notice.

CEILING INSTALLATION INSTRUCTIONS (2 OF 2)

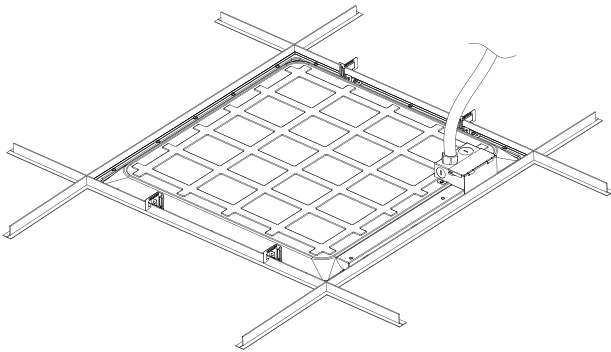
7. Put exposed cord into junction box and close the junction box cover.



8. Secure the fixture to the T-grid bar as direction of arrow above.



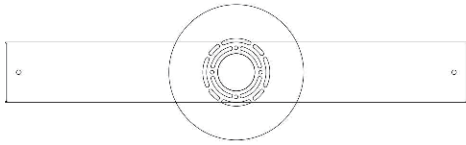
9. Installation complete diagram.



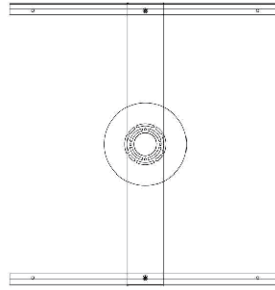
Specifications and dimensions subject to change without notice.

SURFACE INSTALLATION INSTRUCTIONS (1 OF 3)

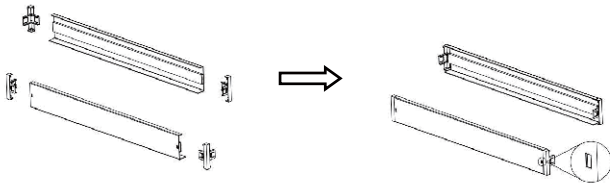
1. Find the installation location, and place the position board to the ceiling.



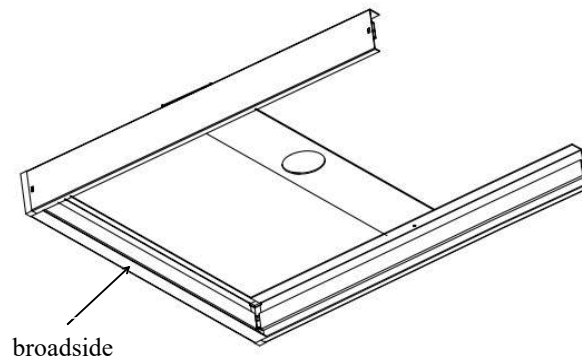
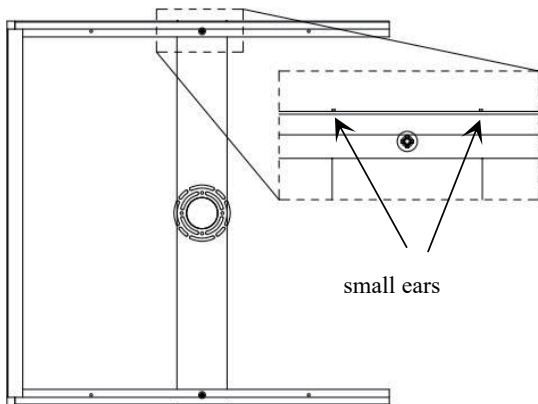
2. According to the position board, install 2 parallel frame bars (with holes) to the ceiling.



3. Buckle the corner code into the non-hole frame (until the button is fully popped).



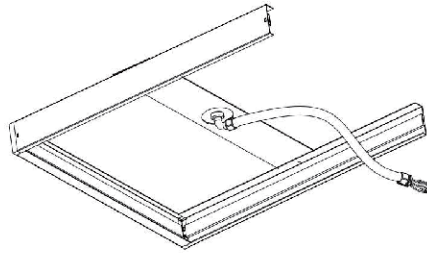
4. Put the broadside of one side of the holeless border (with corner code) facing down, align the border with the cardboard edge (to expose 4 small ears), and put the remaining 4 ceiling screws on.



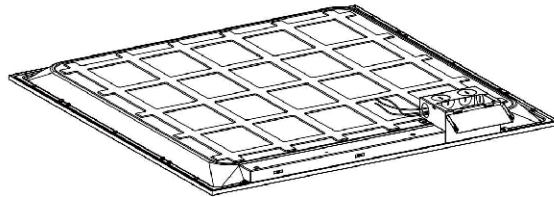
Specifications and dimensions subject to change without notice.

SURFACE INSTALLATION INSTRUCTIONS (2 OF 3)

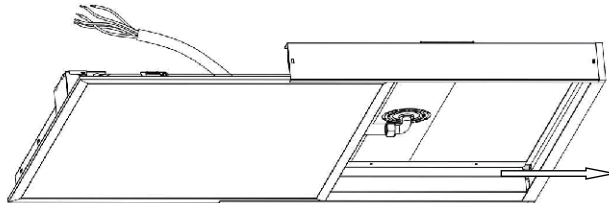
5. Thread the wire through a metal hose with one side bend (through the bend side).



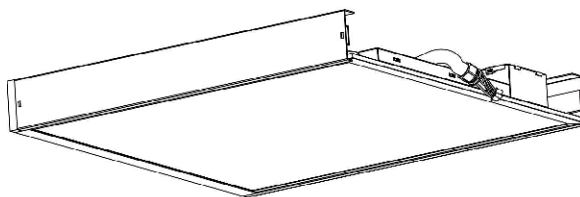
6. Pry open the hole on the side of the junction box on the lamp body, open the junction box cover, and then operate in the space below the junction box cover to pull out the power cable inside the junction box from hole position. Pull out the cable and put back the junction box cover.



7. Slide the lamp body from the non-power end into the ceiling frame.



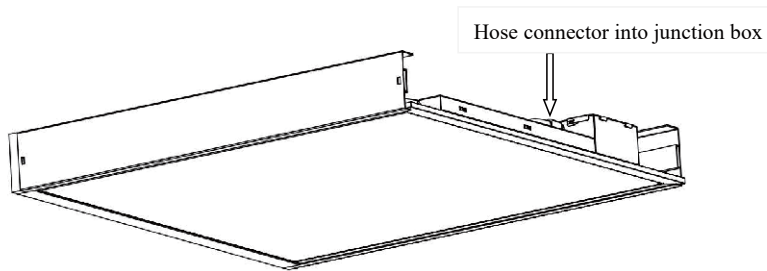
8. Connection.



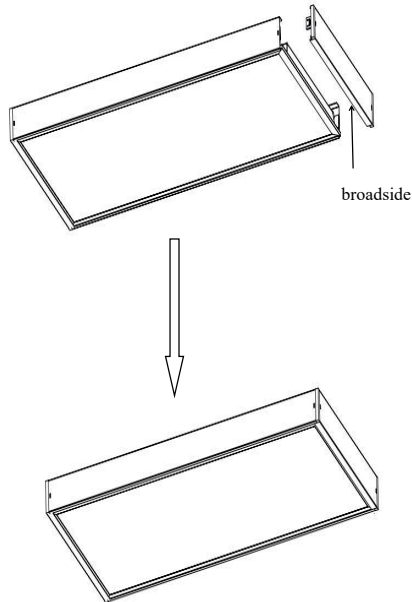
Specifications and dimensions subject to change without notice.

SURFACE INSTALLATION INSTRUCTIONS (3 OF 3)

9. After connecting the wire, plug the excess wire back into the junction box, and then tie the metal hose connector into the hole in the junction box.



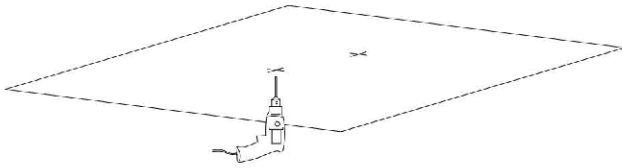
10. Cover the last side of the ceiling frame (broadside down) and the installation is complete.



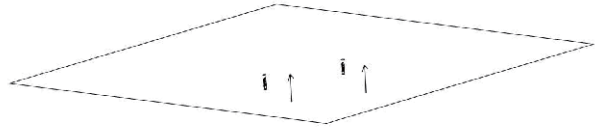
Specifications and dimensions subject to change without notice.

SUSPENSION INSTALLATION INSTRUCTIONS (1 OF 2)

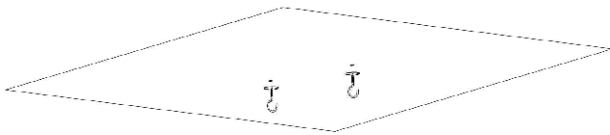
1. Drill two holes on the ceiling.
The recommended holes are 11.90 to 23.60 inches apart.



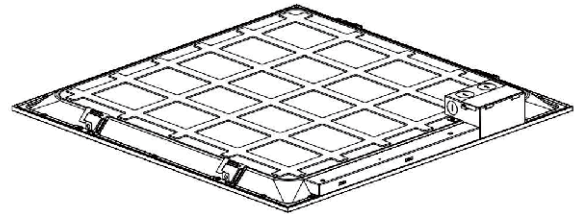
2. Insert the expansion tube into the hole.



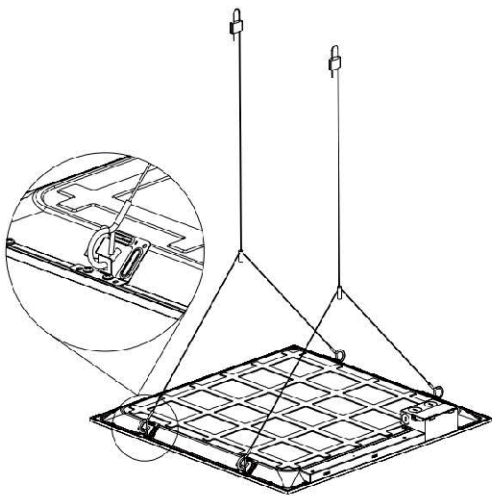
3. Screw the hooks into the expansion tube.



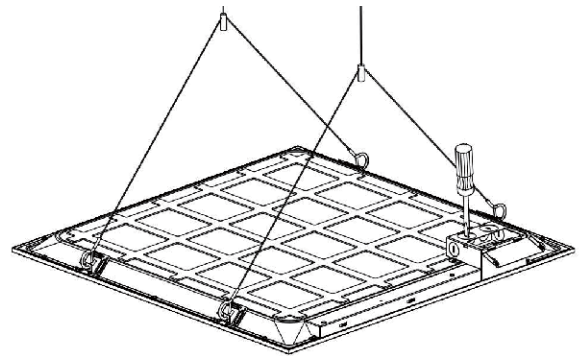
4. Fold the 4 hanging plate into the shape shown.



5. Hang the wire rope on the hanging plate as shown.



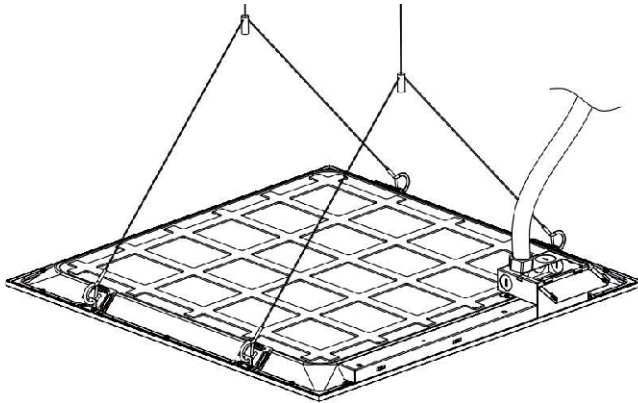
6. Open the junction box cover with a screwdriver and pry open one of the holes.



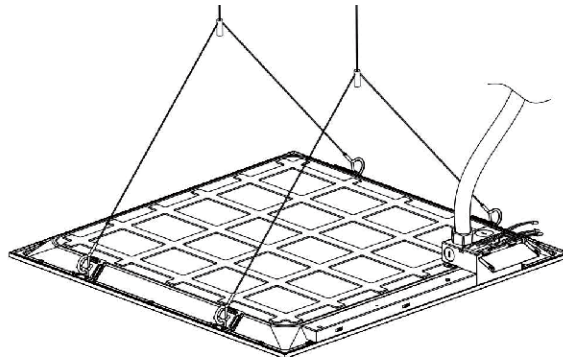
Specifications and dimensions subject to change without notice.

SUSPENSION INSTALLATION INSTRUCTIONS (2 OF 2)

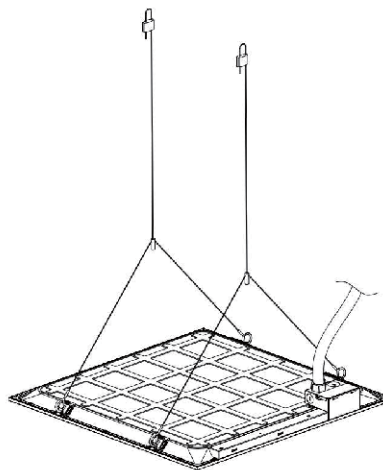
7. Insert the power cord with the metal hose into the junction box through the stamp hole and secure the metal hose.



8. Pull out the wires in the junction box from the opening of the junction box, and connect the wires in one-to-one correspondence.



9. Plug the wire back into the junction box and close the junction box cover, and the installation is complete.



Specifications and dimensions subject to change without notice.