

TEG4 Essential

Low-Profile Troffer | Selectable Wattage & CCT



Key Features

- Energy-efficient LED replacement for existing recessed fluorescent fixtures.
- Low-profile, wide center basket design available in a 2x2 model.
- Select wattage and correlated color temperature (CCT) via switches in the field.
- Optional battery back-up available.

Electrical

- 120-277VAC 50/60Hz input.
- Power Factor: >0.9; THD: <20%
- 0-10V dimming standard.
- Operating temperature: -20°C to +45°C (-4°F to +113°F)

Mounting

- Easy-to-position integral T-bar clips for mounting in a recessed ceiling application.

Construction

- Housing is constructed of cold-rolled steel and aluminum trim for exceptional durability.
- Pre-painted white finish for highest reflectance.
- Frosted PMMA lens offers complete shielding and uniform light distribution that's glare-free.
- Low-profile design (1.45" depth) offers flexibility to install in low plenum areas (IC Rated).

Optics

- High-performance diffusing lens conceals LEDs and delivers volumetric illumination.
- Industry-leading LEDs with selectable CCT: 3500K, 4000K, and 5000K (≥80 CRI).
- Lumen Maintenance: 87,000 hours (L70) ¹

Warranty

- Backed by US LED's Five-Year Warranty.

Project	Date
---------	------

Catalog Number	Type
----------------	------

Product Performance Summary

Lumen Output	Up to 4,939 lumens
Efficacy	Up to 153 LPW
CRI	≥ 80 CRI
Available CCT	Selectable CCT: 3500K, 4000K, 5000K
Warranty	Five-Year Warranty

Product Overview

US LED's TEG4 Essential low-profile troffer is an all-in-one recessed lighting solution for indoor spaces demanding efficiency and style. With its selectable wattage and CCT options, this highly versatile troffer can meet various lighting needs, ensuring uniform illumination and a modern appearance for various environments like offices, retail spaces, and schools.

Product Applications

- Classrooms
- Conference Rooms
- Office Spaces
- Health Care Facilities
- Hallways/Corridors
- Retail Spaces
- Convenience Stores
- Health Care Facilities
- Industrial/Warehouses
- Hospitality

Product Certifications

- UL Certified
- Complies with UL 1598, UL 8750, and CSA 22.2
- Suitable for Indoor Locations Only
- DLC Premium Listed
- IC Rated For Direct Contact With Insulation
- RoHS Compliant



Ordering Information

Example: TEG4-1-22-UNVL-18-SCCT

TEG4	Series	Variant	Size	Input Voltage	Selectable Wattage ²	Selectable CCT	Battery Back-Up
	1	Standard	22 2x2	UNVL 120-277V	18 18W, 26W, 35W	SCCT Selectable CCT: 3500K, 4000K, 5000K	[BLANK] No B Yes

Accessories	
TEG4-SMK22	2x2 Surface Mount Kit
DW-22-TB	2x2 Drywall Flange Kit
MS	Motion Sensor
C	Casambi-Enabled

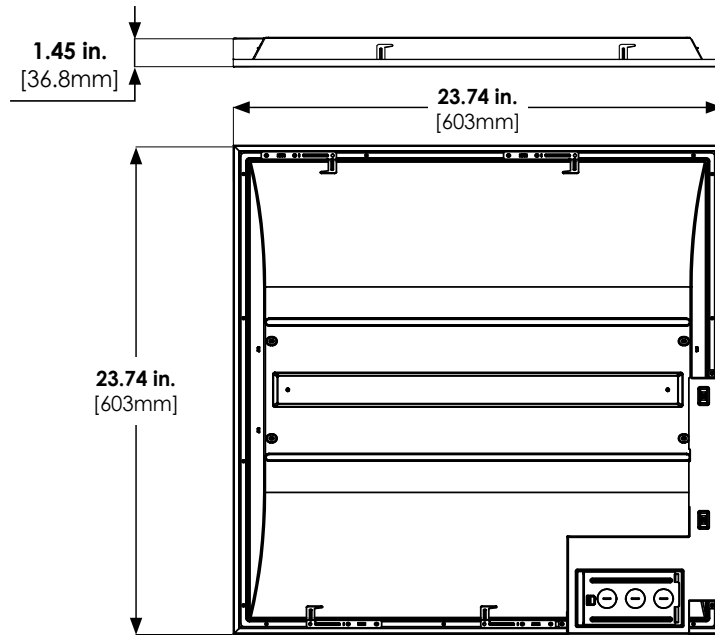
1. Product 'Lifetimes' refer only to the LED light engine, not the power source, and are based on the Illuminating Engineering Society's TM21 Projected Lumen Maintenance methodology at a 25° C / 77° F ambient temperature. The lifetimes are solely meant to be a guide for expected LED degradation and not a warranty or predictive of their actual life, which can be affected by ambient temperatures and other factors.

TEG4 Essential

Low-Profile Troffer | Selectable Wattage & CCT

Dimensions

TEG4 2x2 Model	
Carton Dimensions	24.6 in. x 24.6 in. x 2.91 in.
Net Weight	3.9 lbs. [1.8kg]



Performance Data

Model	Size	CCT	System Level Power	Wattage	Delivered Lumens	Efficacy	L70 Calculated Life
TEG4-1-22-UNVL-XX-SCCT	2x2	3500K	18W	17.2W	2,525.1	146.8 LPW	87,000 Hours
			26W	25.5W	3,599.4	141.2 LPW	
			35W	35.0W	4,673.5	133.5 LPW	
		4000K	18W	16.9W	2,591.0	153.3 LPW	
			26W	24.9W	3,746.4	150.5 LPW	
			35W	34.0W	4,939.7	145.3 LPW	
		5000K	18W	17.2W	2,538.1	147.6 LPW	
			26W	25.5W	3,607.2	141.5 LPW	
			35W	35.0W	4,679.5	133.7 LPW	

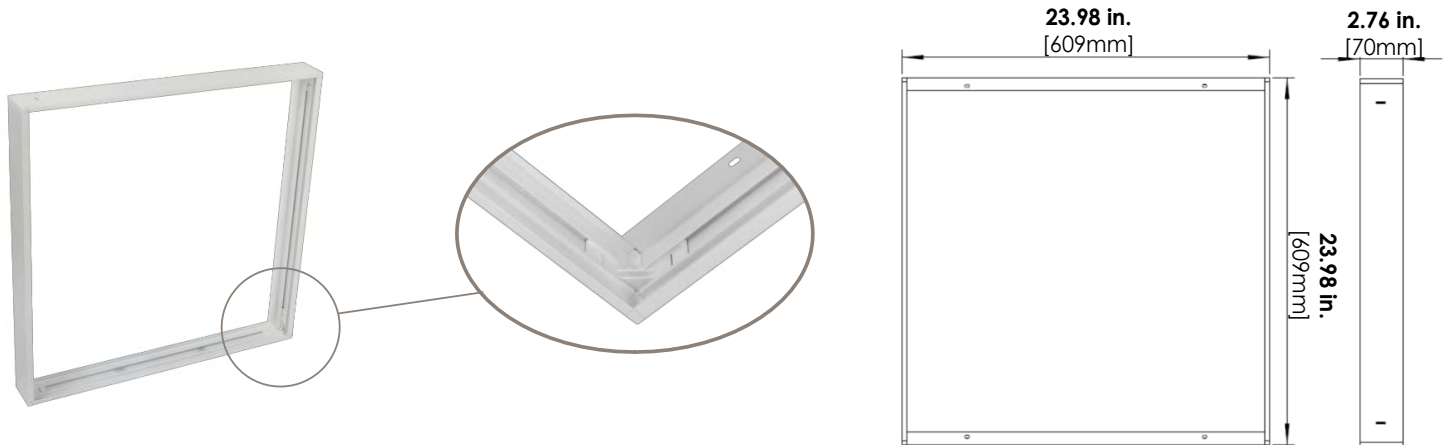
TEG4 Essential

Low-Profile Troffer | Selectable Wattage & CCT

Accessories

TEG4-SMK22 TEG4 Essential 2x2 Surface Mount Kit

Designed for use on the surface of drywall or concrete ceilings, the TEG4 surface mount kits are ideal for offices, educational facilities, healthcare facilities, and any other indoor applications where surface mount troffer installation is required.



DW-22-TB TEG4 Essential 2x2 Drywall Flange Kit

Drywall flange kits act as T-Bar frames to support recessed troffer luminaires in wood, drywall, or plaster ceilings. From the room side, flange kits mimic T-Bars' appearance in a baked enamel white finish.

Model	Catalog Number	Ceiling Opening Dimensions
2x2	DW-22-TB	24.65 in. (W) × 24.65 in. (L)

