

# EcoNight®4

## Outdoor LED Full Cutoff Wall Pack



### Key Features

- Low-wattage, highly-efficient patented LED replacement for legacy HID wall packs.
- Full cutoff design for restrictive lighting zones to eliminate forward/upward light.
- Robust die-cast housing is IP65-rated to protect integral components from harsh environments.
- BAA-compliant model available.

### Electrical

- 120-277VAC 0-10V dimming standard.
- System power factor >90% and THD <20%.
- Operating temperature: -40°C to 45°C (-40°F to 113°F).

### Mounting

- Designed for wall mounting above four feet from the ground.
- Housing is configured for mounting directly over a standard 4" outlet box (by others) or surface wiring via any of the convenient 1/2" threaded conduit entries.

### Construction

- Two-piece die-cast aluminum housing optimizes thermal management (IP65 Rated).
- Housing is protected by a RoHS compliant, corrosion resistant powder coat finish.
- Standard architectural bronze finish. Consult factory for custom color options.
- Clear tempered glass lens.

### Optics

- Industry-leading LEDs with 4000K and 5000K CCT (minimum 70 CRI).
- IES Type III short distribution.
- Lumen Maintenance: ≥167,000 hours (L70).<sup>1</sup>

### Warranty

- Backed by US LED's industry-leading Ten-Year Warranty.

Project	Date
---------	------

Catalog Number	Type
----------------	------

### Product Performance Summary

<b>Lumen Output</b>	Up to 12,375 lumens
<b>Efficacy</b>	Up to 174 LPW
<b>CRI</b>	≥ 70 CRI
<b>Available CCT</b>	4000K & 5000K
<b>Warranty</b>	Ten-Year Warranty

### Product Overview

Introducing the EcoNight®4 – the next evolution in US LED's energy-efficient wall pack lighting. Designed to replace legacy HID wall packs, the EcoNight®4 offers a full-cutoff design engineered to meet the demands of restrictive lighting zones, eliminating forward/upward light and minimizing light pollution. This cutting-edge LED wall pack guarantees durability and longevity, ensuring steadfast performance even in the harshest conditions. Say goodbye to frequent replacements, as the EcoNight®4 promises ultra-long-life operation, providing sustainable and brilliant lighting for many years.

### Product Applications

- Self-Storage Facilities
- Educational Facilities
- Business Campuses
- Industrial Facilities
- Mall/Retail Areas
- Building Exteriors
- Security Lighting
- Parking Lots

### Product Certifications

- UL Listed
- DL Premium Listed
- Complies with UL1598 and CSA C22.2
- Suitable for Wet Locations
- IP65 Rated Enclosure
- RoHS Compliant



### Ordering Information

Example: **ULFC1-1-UNVL-50-40-BZ**

Series	Variant	Input Voltage	CCT	Wattage	Finish
ULFC1	1 Standard	UNVL 120-277V	40 4000K	24 24W	BZ Bronze
			50 5000K	32 32W	W White <sup>2</sup>
				40 40W	C Custom <sup>2</sup>
				45 45W	
				60 60W	
				75 75W	

Compliance
<b>BAA</b> Buy American Act Compliant

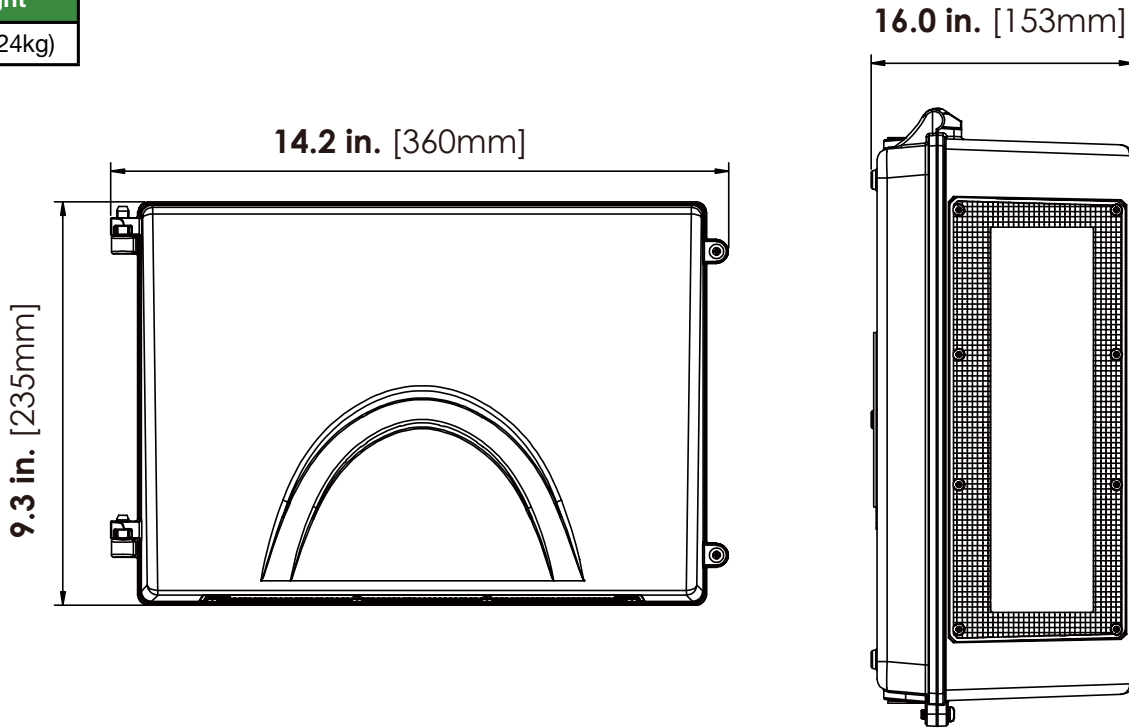
Accessories
<b>BB</b> Remote Battery Back-Up
<b>C</b> Casambi Enabled
<b>IB</b> Integrated Battery Back-Up
<b>PC</b> Photocell

1. US LED product 'lifetimes' refer only to the LED light engine, not the power source, and are based on the Illuminating Engineering Society's TM21 Projected Lumen Maintenance methodology at a 25° C / 77° F ambient temperature. The lifetimes are solely meant to be a guide for expected LED degradation and not a warranty or predictive of their actual life, which can be affected by ambient temperatures and other factors.

2. Custom colors available upon request. Please consult and specify color with the factory.

### Dimensions

Net Weight
9.35 lbs. (4.24kg)



### Performance Data

All photometric testing performed to IESNA LM-79 standards by an accredited testing facility.  
For photometric data details, please visit [www.usled.com](http://www.usled.com) or consult the factory directly.

Model	CCT	System Level Power	Delivered Lumens	Efficacy	BUG Rating	L70 Calculated Life
ULFC1-1-UNVL-50-24-XX	5000K	23W	4,025	174 LPW	B1-U2-G1	≥167,000 Hours
ULFC1-1-UNVL-50-32-XX	5000K	31W	5,394	171 LPW	B1-U2-G1	≥167,000 Hours
ULFC1-1-UNVL-50-40-XX	5000K	39W	6,634	168 LPW	B2-U2-G1	≥167,000 Hours
ULFC1-1-UNVL-50-45-XX	5000K	47W	7,933	168 LPW	B2-U3-G1	≥167,000 Hours
ULFC1-1-UNVL-50-60-XX	5000K	62W	10,308	166 LPW	B2-U3-G1	≥167,000 Hours
ULFC1-1-UNVL-50-75-XX	5000K	75W	12,375	165 LPW	B2-U3-G2	≥167,000 Hours

### Accessories

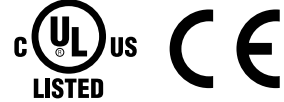
#### [Option BB] Remote Emergency Battery Back-Up

#### Product Overview

UL Listed LED emergency driver that allows the same luminaire to be used for both normal and emergency operation. In the event of a power failure, the battery back-up switches to the emergency mode and operates the luminaire for 90 minutes.

#### Key Features

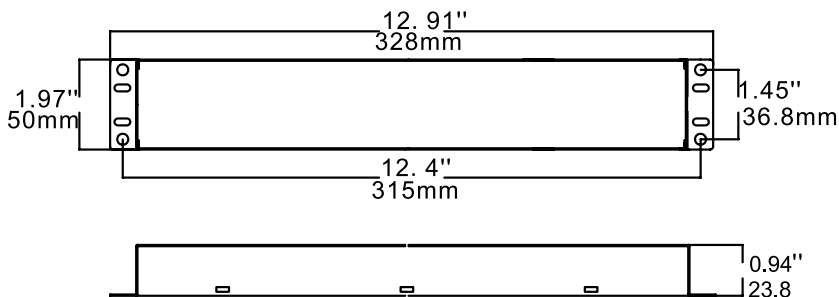
- Meets all NEC, IBC, and Life Safety Code Emergency Lighting Requirements
- Suitable for use in plenum or damp locations.
- Constant wattage delivery maintains illumination for the full emergency runtime with no degradation.
- Self-testing feature.
- Five-Year warranty.



### Specifications

Rated Input Voltage	100-347VAC, 50/60Hz
Input Current	≤100mA Max
Input Power	12W Max
Output Voltage Range	170V DC
Output Power	6-25W
Recharge Time	24 Hours
Discharge Time	90 Minutes
Ambient Temperature Rating	0°C to 50°C (32°F to 122°F)

### Product Dimensions



## Outdoor LED Full Cutoff Wall Pack

### Accessories

#### [Option PC] Electronic Photocell 120-277VAC

#### Product Overview

The electronic photocontrol accessory is perfect for simplified outdoor lighting control, providing easy ON/OFF function in accordance with the ambient lighting level.

#### Key Features

- Installed internally within the fixture (no external mounting required).
- Non-drift silicon light sensor with IR filter.
- DC relay with zero-crossing circuitry for extended life.



#### Specifications

Sensor Time Delay	Instant ON; 3 sec to 10 sec OFF
Photocell Type	Silicon Diode
Photo Control Switch Type	Relay
Power Consumption	0.4W Max
Activation On	10~20Lx
Activation Off	30~80Lx
Dimensions	2.25" (H) x 1.14" (W) X 1.73" (D)
Operation Temperature	-40°C to 70°C (-40°F to 158°F)

