



Outdoor LED Sign Lighting & Wall Washer



Key Features

- Scaled to illuminate any length of flat or embossed surfaces with 1 ft. or 4 ft. sections.
- Individual units can be serviced or replaced without disturbing adjacent mounted sections.
- Optics allow close proximity placement to the targeted walls and signage.
- Adjustable swivel head for precise control.
- Full cutoff operation with 18°, 22°, and 27° preset angles.

Electrical

- 120-277V; 50/60Hz input.
- System power factor >90% and THD <20%.
- Operating temperature: -40°C to 45°C (-40°F to 113°F)
- External driver, enclosure box, and outdoor-rated cable accessories are required for operation (sold separately).

Mounting

- Surface mounted with SMT1 mounting kit accessory (sold separately).
- **Mounts above targeted area facing down only (not upright).**

Construction

- Robust die-cast aluminum housing protects integral components from harsh environments and optimizes thermal management.
- Housing is protected by a corrosion-resistant, black powder coat finish.
- Individual units available in 1 ft. or 4 ft. sections and can be combined for longer surfaces. Single 4 ft. section is available with end caps.
- Net Weight: 1 ft. (0.3 lbs.), 4 ft. (1.2 lbs.)

Optics

- Proprietary refractive optics to project light evenly along the wall or signage.
- Industry-leading LEDs with 5000K CCT (minimum 80 CRI).
- Lumen Maintenance: 163,000 hours (L70) ¹

Warranty

- Backed by US LED's Five-Year Warranty.

Ordering Information

Note: Use The LinearStar Estimator for Assistance in Calculating All Required Project Materials: www.usled.com/linearstar-estimator

SKT1							
Series	Variant	Wattage	Finish	Length	CCT	CRI	Location
1	Standard	37 3.7W (per ft.)	BK Black	1 1 Foot 4 4 Feet	50 5000K	80 80 CRI Minimum	L Left R Right C Center S ² Single

Project	Date
---------	------

Catalog Number	Type
----------------	------

Product Performance Summary

Lumen Output	Up to 1,507 lumens (Per Section)
Efficacy	Up to 92 LPW (Per Section)
CRI	≥ 80 CRI
Available CCT	5000K
Warranty	Five-Year Warranty

Product Overview

Adding another chapter in US LED's history of engineering design, LinearStar® outdoor LED sign accent lighting is the embodiment of elegance and efficiency. More than just a light, its minimalist presence seamlessly integrates into the overall architecture and utilizes proprietary refractive optics to project the maximum amount of lighting possible in a close proximity. LinearStar is available in 1 ft. and 4 ft. sections to provide installation flexibility for any application.

LinearStar outdoor sign accent lighting will allow potential customers to find you more easily and create a dynamic first impression. Its durable construction is designed to withstand outdoor elements all while showing your brand in the best light possible. With your choice of lengths and adjustable swivel head, you can transform your exteriors with the perfect amount of illumination.

Product Applications

- Exterior Signage
- Accent Lighting
- Wall Wash Lighting
- Retail/Mall Exteriors
- Hospitality Exteriors
- Restaurant Exteriors

Product Certifications

- UL Recognized (E324062)
- Suitable for Wet Locations
- RoHS Compliant



Example: SKT1-1-37-BK-4-50-80-S

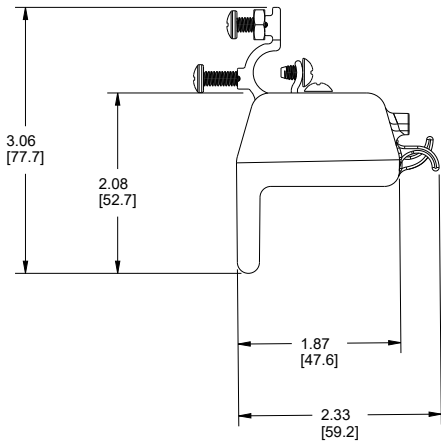
LinearStar Accessories (Sold Separately)

Part Number	Description
PSH1-1-A-O-W-4 ³	100W 24V Outdoor-Rated LED Driver With Enclosure Box
SMT1-1-XX-XX	Mounting Arm Kit Black Finish 18°, 22°, or 27° Preset Angles

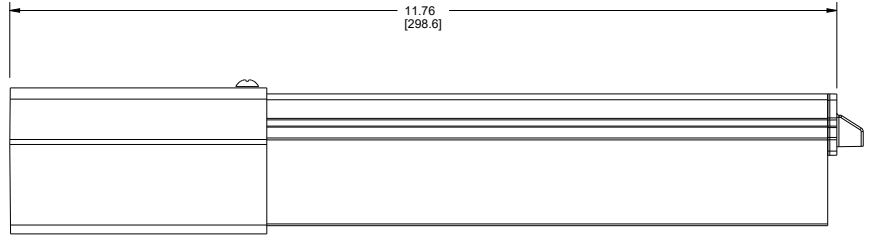
1. US LED product 'Lifetimes' refer only to the LED light engine, not the power source, and are based on the Illuminating Engineering Society's TM21 Reported Lumen Maintenance methodology at a 25° C / 77° F ambient temperature. The lifetimes are solely meant to be a guide for expected LED degradation and not a warranty or predictive of their actual life, which can be affected by ambient temperatures and other factors.
 2. Single location option [S] has end caps on both sides of the unit and is not available in the 1 ft. length option [1].
 3. Driver loading specifications: Maximum of 25 ft. per single 100W LED driver powered at one end. Maximum 50 ft. per two 100W LED drivers powered at both ends.

Dimensions

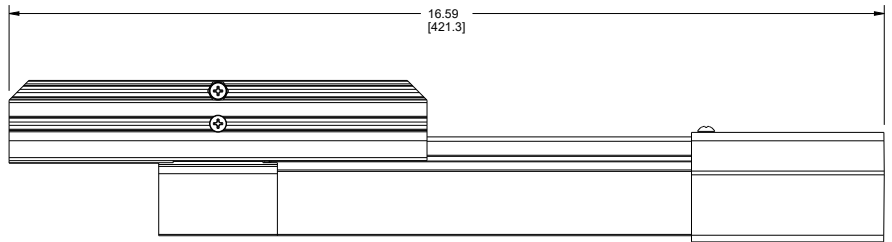
Right End Unit (1 ft.)



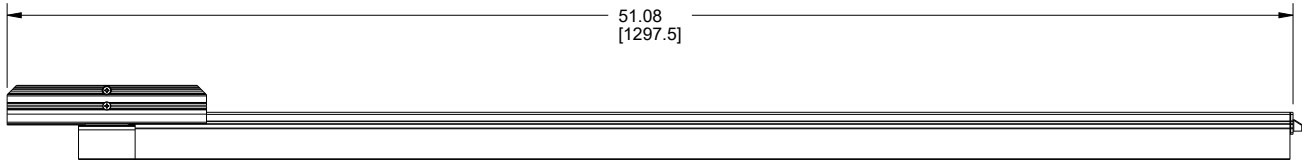
Left End Unit (1 ft.)



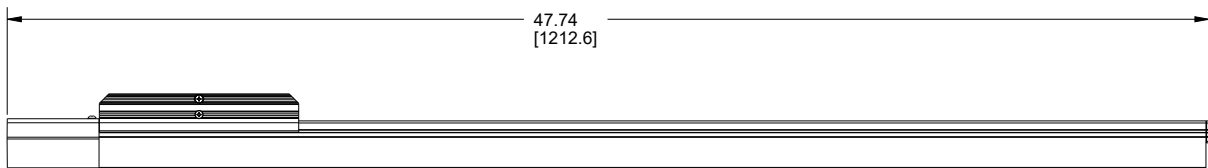
Right End Unit (1 ft.)



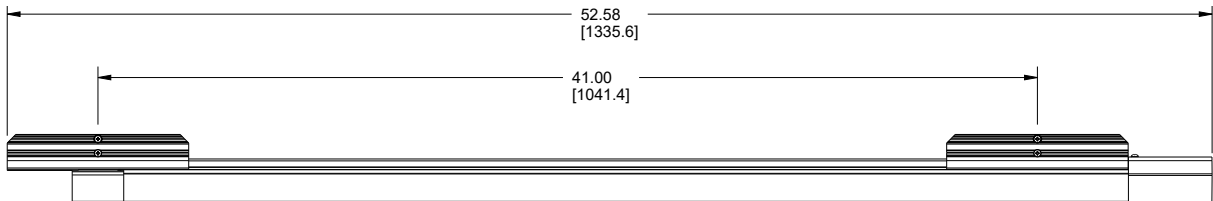
Center Unit (4 ft.)



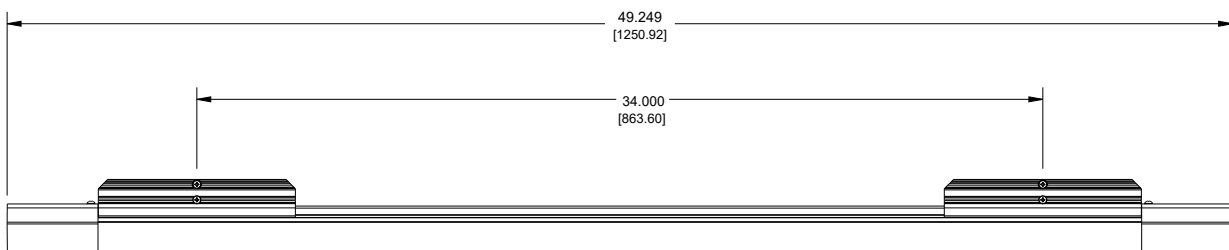
Left End Unit (4 ft.)



Right End Unit (4 ft.)



Single Unit (4 ft.)



Performance Data

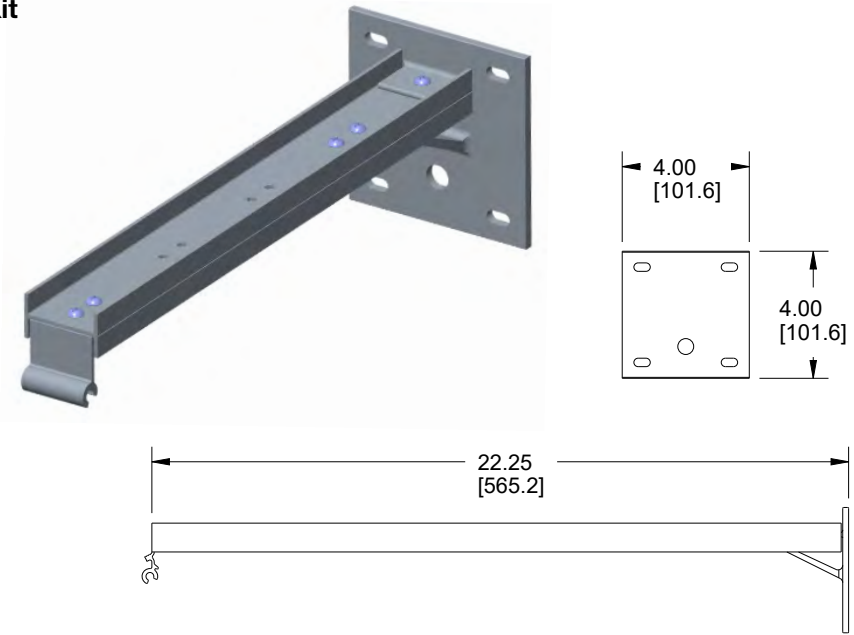
Length	CCT	System Level Power	Delivered Lumens	Efficacy	CRI	L70 Calculated Life
1 FT. Unit	5000K	3.7W	340	92 LPW	≥ 80 CRI	163,000 Hours
4 FT. Unit	5000K	16.4W	1,507	92 LPW	≥ 80 CRI	163,000 Hours

Accessories

SMT1-1-XX-XX LinearStar Mounting Arm Kit

SMT1

Series	Variant	Finish	Preset Angle
1	Standard	BK Black	18 18°
			22 22°
			27 27°
			V Variable



Key Features

- Available in black finish to match LinearStar.
- 18°, 22°, 27° or variable preset angles.

PSH1-1-A-O-W-4 24V/100W LED Driver With Enclosure Box

Key Features

- PSH1 houses Class 2 outdoor-rated LED driver.
- Suitable for wet locations.

Specifications

- Outdoor-rated aluminum cover.
- Dimensions: 15" x 3" x 3"
- Net Weight: 2.9 lbs.

