



## IMPORTANT SAFETY WARNINGS



**THE INSTALLATION MUST ONLY BE PERFORMED BY A LICENSED ELECTRICIAN. TO PREVENT DEATH, INJURY OR DAMAGE TO PROPERTY, THIS PRODUCT MUST BE INSTALLED IN ACCORDANCE TO NATIONAL ELECTRIC CODE (NFPA70) IN THE US OR CANADIAN ELECTRICAL CODE (CSA22.1) IN CANADA.**

*L'INSTALLATION NE DOIT ÊTRE EFFECTUÉE QUE PAR UN ÉLECTRICIEN AGRÉÉ. POUR PRÉVENIR LES DÉCÈS, LES BLESSURES OU LES DOMMAGES MATÉRIELS, CE PRODUIT DOIT ÊTRE INSTALLÉ CONFORMÉMENT AU CODE NATIONAL DE L'ÉLECTRICITÉ (NFPA70) AUX USA OU CODE CANADIEN DE L'ÉLECTRICITÉ (CSA22.1) AU CANADA.*

**CONSULT A QUALIFIED ELECTRICIAN TO ENSURE CORRECT BRANCH CIRCUIT CONDUCTOR.**

*CONSULTER UN ÉLECTRICIEN QUALIFIÉ POUR VOUS ASSURER QUE LES CONDUCTEURS DE LA DÉRIVATION SONT ADÉQUATS.*

**SUITABLE FOR DAMP LOCATIONS. SUITABLE FOR OPERATION IN AMBIENT NOT EXCEEDING 45°C.**

*CONVIENT AUX EMPLACEMENTS HUMIDES. PEUT ÊTRE UTILISÉ À UNE TEMPÉRATURE AMBIANTE N'EXCÉDANT PAS 45°C.*

**CAUTION – RISK OF FIRE. MIN 90°C SUPPLY CONDUCTORS. CLASS 2. CLASS 1 WIRE ONLY.**

*ATTENTION – RISQUE D'INCENDIE. LES FILS D'ALIMENTATION 90 °C MIN. CLASSE 2. CLASSE 1 FIL SEULEMENT.*

- To reduce the risk of death, personal injury or property damage from fire, electric shock, falling parts, cuts/abrasions, and other hazards please read all warnings and instructions included with and on the fixture box and all fixture labels.
- Follow all manufacturer's warnings, recommendations and restrictions for: driver type, burning position, mounting locations/methods, replacement and recycling.
- Wear gloves and safety glasses at all times when removing luminaire from carton, installing, servicing or performing maintenance.
- Disconnect or turn off power before installation or servicing the luminaire.
- Allow lamp/fixture to cool before handling.
- Do not exceed maximum wattage marked on the label.
- Do not operate in close proximity to persons, combustible materials or substances affected by heat or drying.
- Verify supply voltage is correct by comparing it with the label information.
- All wiring connections should be capped with UL approved recognized wire connectors.
- **DO NOT INSTALL DAMAGED PRODUCT!** This luminaire has been properly packed so that no parts should have been damaged during transit. Inspect to confirm. Any part damaged or broken during or after assembly should be replaced.
- Maintenance of the luminaires should be performed by person(s) familiar with the luminaires' construction and operation and any hazards involved. Regular fixture maintenance programs are recommended.
- It will occasionally be necessary to clean the outside of the refractor/lens. Frequency of cleaning will depend on ambient dirt level and minimum light output which is acceptable to user. Refractor/lens should be washed in a solution of warm water and any mild, non-abrasive household detergent, rinsed with clean water and wiped dry.
- These instructions do not purport to cover all details or variations in equipment nor to provide every possible contingency to meet in connection with installation, operation, or maintenance.

Specifications and dimensions subject to change without notice.

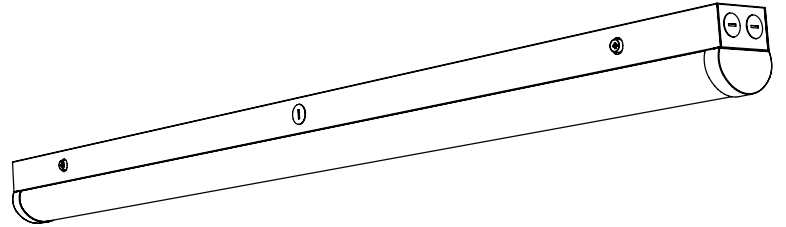
### WIRING INSTRUCTIONS & CONTINUOUS RUN INSTALLATION

This product has dimming functions. The three dimming functions that are available:

1. Constant current by 0/1-10VDC dimming.
2. PWM signal dimming.
3. Variation of resistance unit dimming.

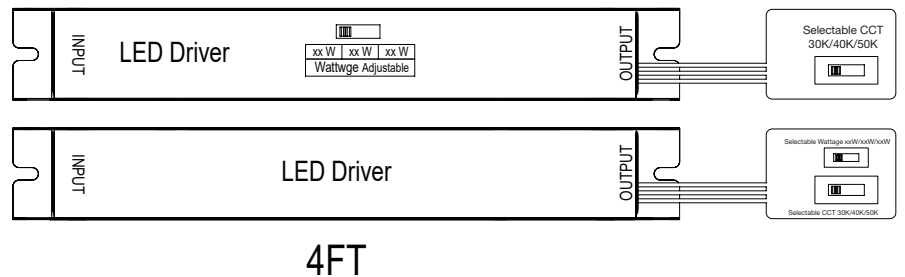
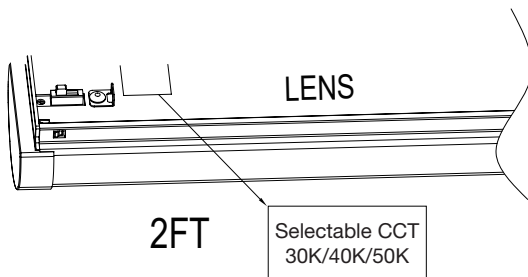
#### Standard Wiring Instructions:

- L/live wire: Black
  - N/null wire: White
  - Ground wire: Green/Yellow
  - Dim +
  - Dim -
- (As for the wire color of DIM+ and DIM-, please check the light label)



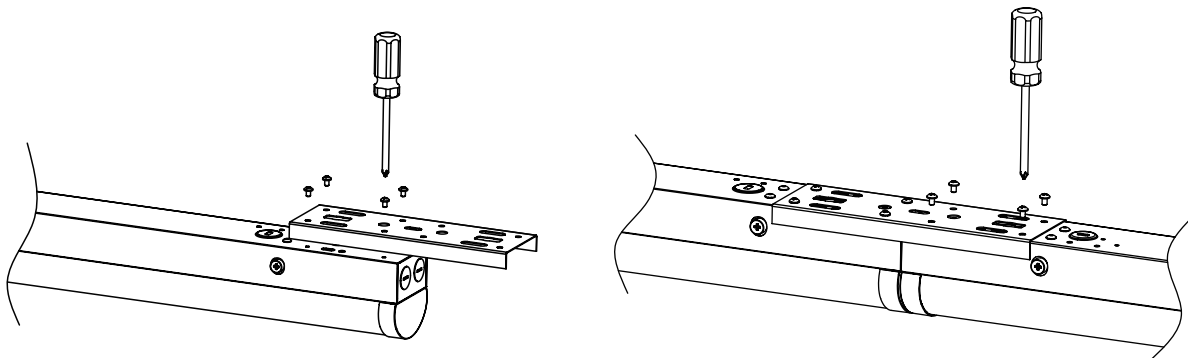
#### Selectable CCT and Wattage:

- Press the screws on both sides of the luminaire by hand to open.
- CCT and Wattage can be adjusted with the internal switches indicated below.



#### Continuous Run Installation:

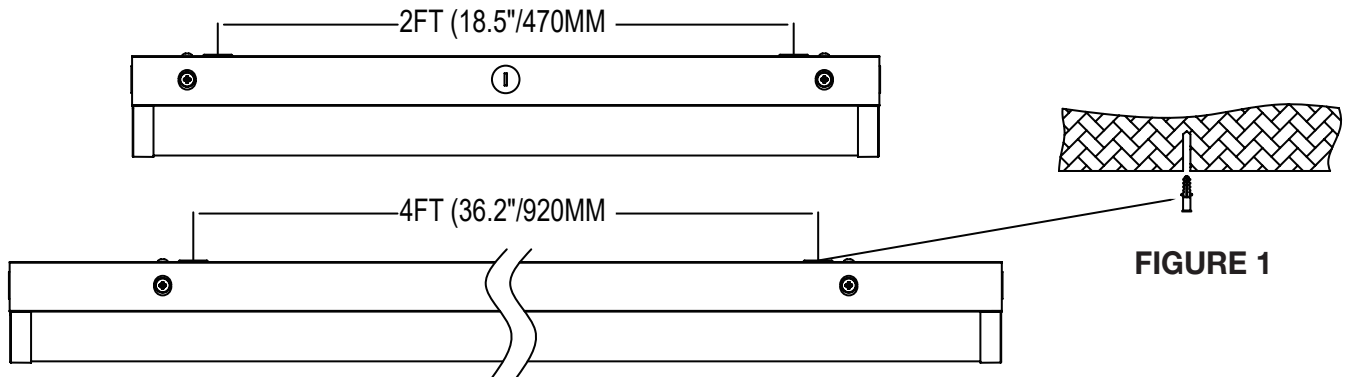
- Use the screws in the accessory kit to lock the bracket onto the first luminaire.
- Align the other luminaire to the bracket and lock the screws.



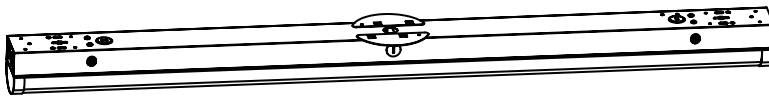
Specifications and dimensions subject to change without notice.

### SURFACE INSTALLATION INSTRUCTIONS

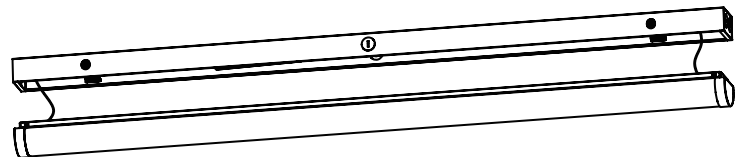
1. Based on the length you're mounting, drill holes at the corresponding positions and drive the rubber plugs from the accessory kit into the holes. (Figure 1)



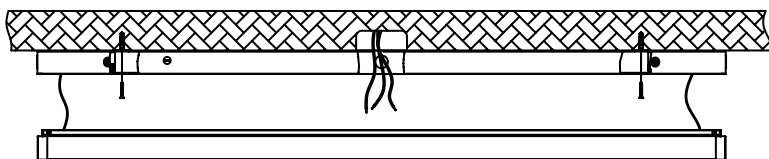
2. Clamp the disc from the accessory kit to the lamp. This step can be skipped if the luminaire can completely cover the junction box on the wall. (Figure 2)



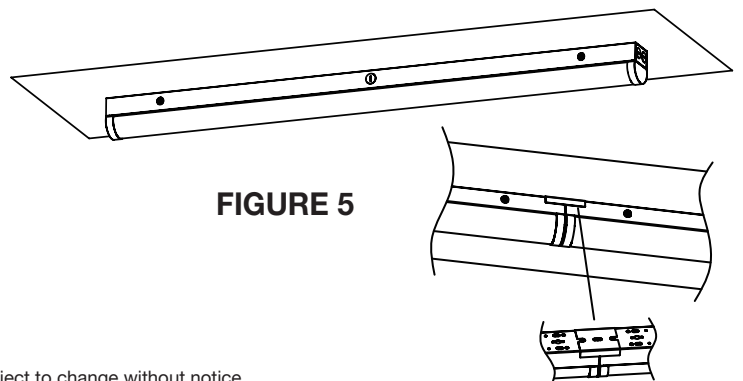
3. Press the screws on both sides of the luminaire by hand to open. (Figure 3)



4. Lead the wire into the luminaire and install the chassis by using the screws in the accessory kit. (Figure 4)



5. Connect the wires according to safety requirements and then install the luminaire body back to the chassis. By using an extra mounting bracket, lights can be connected in series. (Figure 5)



Specifications and dimensions subject to change without notice.

### SUSPENDED INSTALLATION INSTRUCTIONS

1. Hang one end of the installation cable from the accessory kit on the wall or hook.  
Choose accessories according to your mounting needs. (Figure 6).

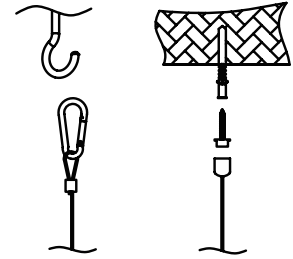


FIGURE 6

2. Fasten the other end of the installation cable to the luminaire. (Figure 7).

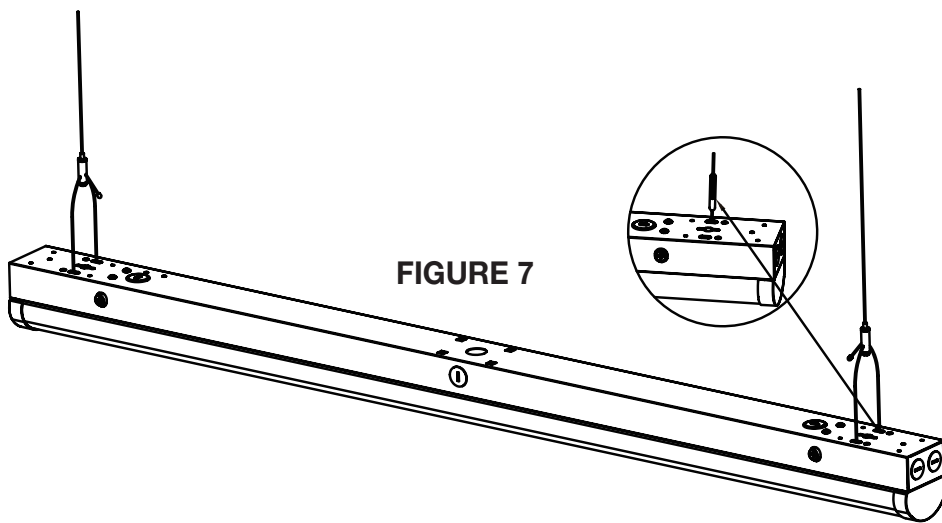


FIGURE 7

3. Press the screws on both sides of the luminaire by hand to open it. Connect the wires according to safety requirements and then install the luminaire body back to the chassis. (Figure 8)

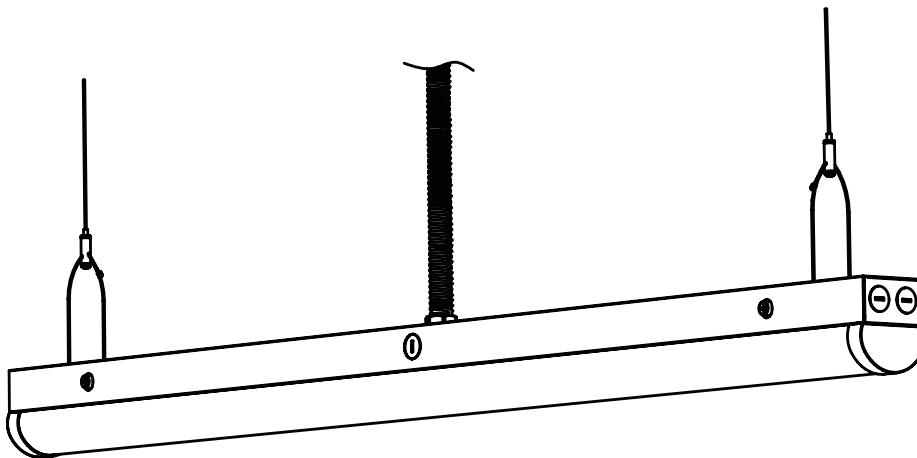


FIGURE 8