



## IMPORTANT SAFETY WARNINGS



**THE INSTALLATION MUST ONLY BE PERFORMED BY A LICENSED ELECTRICIAN. TO PREVENT DEATH, INJURY OR DAMAGE TO PROPERTY, THIS PRODUCT MUST BE INSTALLED IN ACCORDANCE TO NATIONAL ELECTRIC CODE (NFPA70) IN THE US OR CANADIAN ELECTRICAL CODE (CSA22.1) IN CANADA.**

*L'INSTALLATION NE DOIT ÊTRE EFFECTUÉE QUE PAR UN ÉLECTRICIEN AGRÉÉ. POUR PRÉVENIR LES DÉCÈS, LES BLESSURES OU LES DOMMAGES MATÉRIELS, CE PRODUIT DOIT ÊTRE INSTALLÉ CONFORMÉMENT AU CODE NATIONAL DE L'ÉLECTRICITÉ (NFPA70) AUX USA OU CODE CANADIEN DE L'ÉLECTRICITÉ (CSA22.1) AU CANADA.*

**CONSULT A QUALIFIED ELECTRICIAN TO ENSURE CORRECT BRANCH CIRCUIT CONDUCTOR.**

*CONSULTER UN ÉLECTRICIEN QUALIFIÉ POUR VOUS ASSURER QUE LES CONDUCTEURS DE LA DÉRIVATION SONT ADÉQUATS.*

**SSUITABLE FOR WET LOCATIONS. SUITABLE FOR OPERATION IN AMBIENT NOT EXCEEDING 50°C (122°F).**

*CONVIENT AUX ENDROITS HUMIDES. PEUT ÊTRE UTILISÉ À UNE TEMPÉRATURE AMBIANTE N'EXCÉDANT PAS 50°C (122°F).*

**CAUTION – RISK OF FIRE. MIN 75°C (167°F) SUPPLY CONDUCTORS.**

*ATTENTION – RISQUE D'INCENDIE. LES FILS D'ALIMENTATION 75°C (167°F) MIN.*

- To reduce the risk of death, personal injury or property damage from fire, electric shock, falling parts, cuts/abrasions, and other hazards please read all warnings and instructions included with and on the fixture box and all fixture labels.
- Follow all manufacturer's warnings, recommendations and restrictions for driver type, burning position, mounting locations/methods, replacement and recycling.
- Allow fixture to cool before handling.
- Wear gloves and safety glasses at all times when removing luminaire from carton, installing, servicing or performing maintenance.
- Disconnect or turn off power before installation or servicing the luminaire.
- Do not exceed maximum wattage marked on the label.
- Do not install in a hazardous environment. The ambient temperature must not exceed the rated operating temperature of the fixture.
- Do not operate in close proximity to persons, combustible materials or substances affected by heat or drying.
- Verify that supply voltage is correct by comparing it with the label information.
- Use wires that comply with UL with a minimum conductor size of 16AWG.
- Wiring connections should be capped with UL-approved wire connectors.
- Please use with listed waterproof strain relief bushing when connecting the power supply cord to the outlet box.
- External 0-10V only passive dimmers are supported.
- **DO NOT INSTALL DAMAGED PRODUCT!** This luminaire has been properly packed so that no parts should have been damaged during transit. Inspect to confirm. Any part damaged during or after assembly should be replaced.
- Maintenance should be performed by person(s) familiar with the luminaires' construction and operation and any hazards involved. Regular fixture maintenance programs are recommended.
- These instructions do not purport to cover all details or variations in equipment nor to provide every possible contingency to meet in connection with installation, operation, or maintenance.

Specifications and dimensions subject to change without notice.

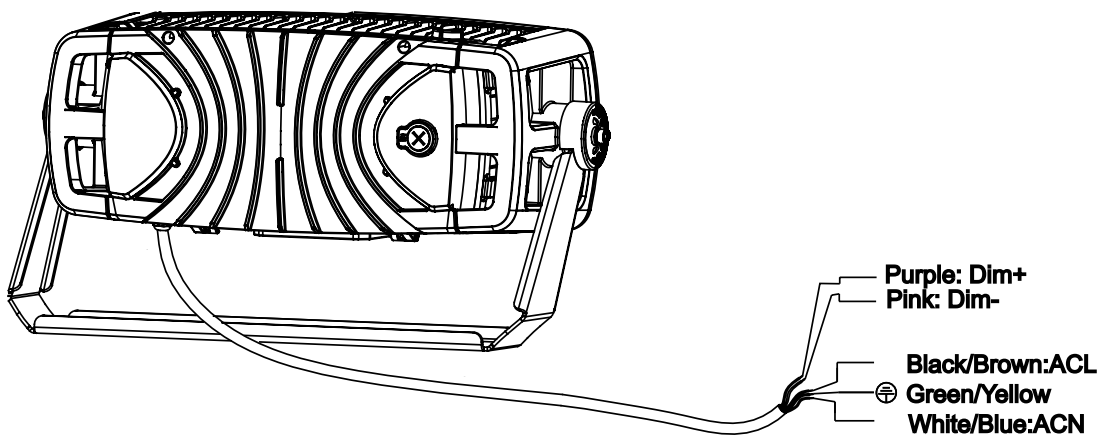
---

## WIRING DIAGRAM

---

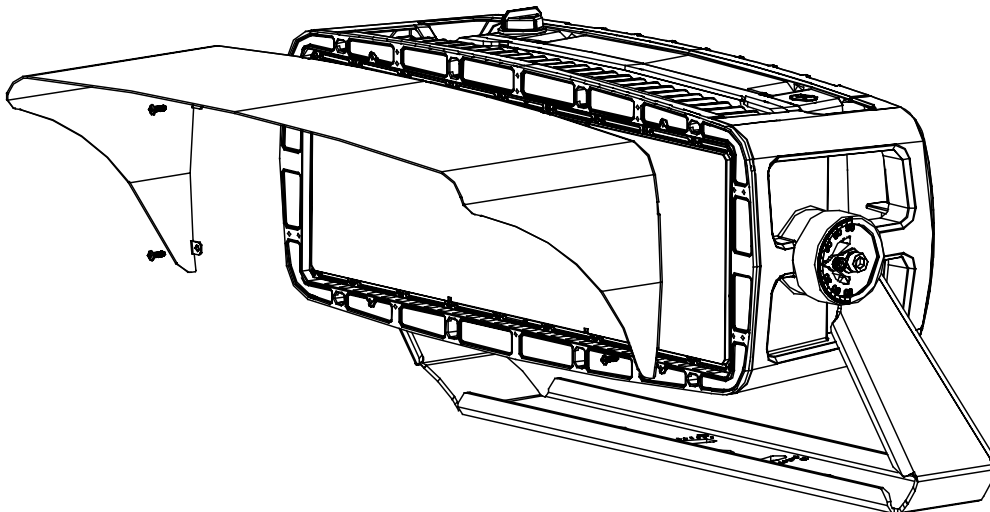
Notice: Please use the dimming+, dimming- (DC10V) marking leads to connect to outside dimmer.

- Class 1 wiring only.
- Assure a cumulative leakage current of less than 3.5mA on the control circuit.
- The AUX control wire with shrinkable tubing shall not be damaged (no connection).



### Installing The Light Shield/Visor:

- When the function is required, attach the shield/visor to the luminaire with a screwdriver as required.

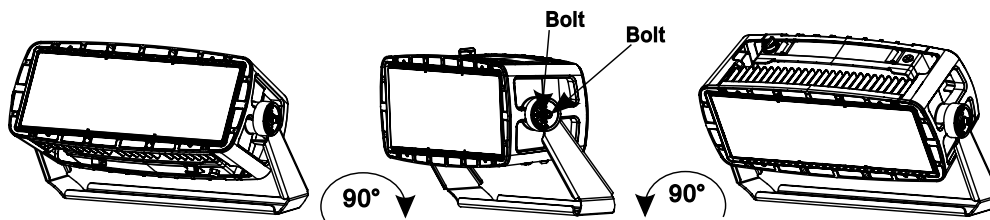
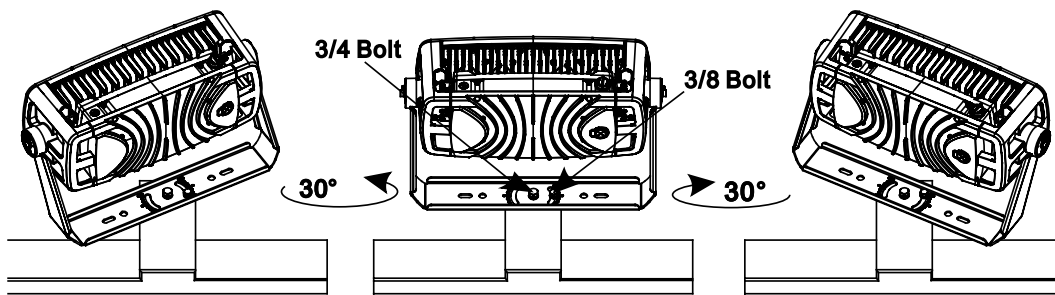
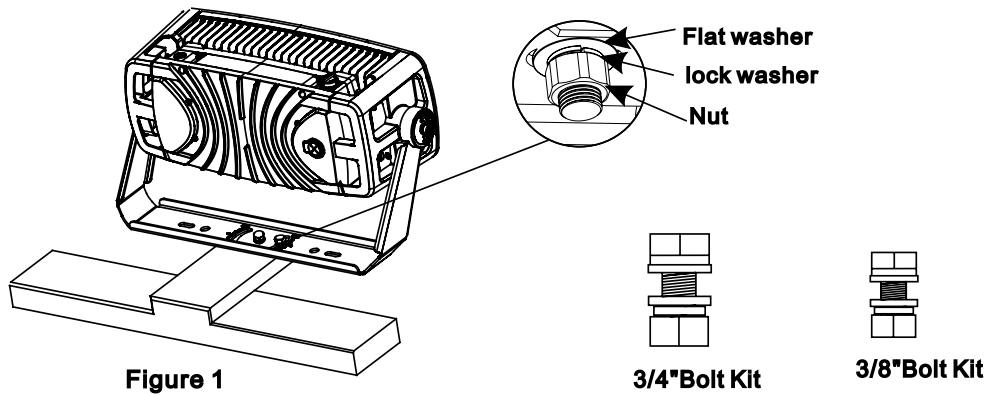


Specifications and dimensions subject to change without notice.

## INSTALLING THE FIXTURE (TRUNNION)

### Trunnion Mount & Aiming:

- You can install the fixture on the crossarm diving board and secure it with (Figure 1)
  - (1) 3/4" diameter bolt/nut, flat washers, and lock washer kit
  - (1) 3/8" aiming lock bolt/nut, flat washers, and lock washer kit.
- Set the left/right orientation by loosening the 3/4" & 3/8" bolts in the base of the trunnion mount bracket, turning the fixture as required, and then re-torque the bolts to 59.1 ft.lbs. (Figure 2)
- Set the up/down orientation by loosening the (2) bolts on each side of the fixture where the trunnion mount attaches to the fixture, rotate the fixture up/down, and then re-torque the bolts to 22.2 ft. lbs (Figure 3)
- The use of an aiming laser/level may be required in certain applications (sold separately).



Specifications and dimensions subject to change without notice.

# INSTALLING THE FIXTURE (UNIVERSAL MOUNT)

## Universal Mount & Aiming:

- Attach the bracket to the fixture with four (4) bolts by aligning it with the opening at the bottom of the fixture (Figure 4).
- You can install the fixture on the crossarm diving board and secure it with:
  - M10 diameter bolt/nut, flat washers, and lock washer kit (Figure 5).
- Set the left/right orientation by loosening the two (2) bolts in the base of the Universal Mount, turning the base, and then re-torque the bolts to 22.2 ft. lbs. (Figure 6).
- Set the up/down orientation by loosening the bolts in the knuckle of the Universal Mount, turning the knuckle, and then re-torque the bolts to 36.9 ft. lbs. (Figure 7).

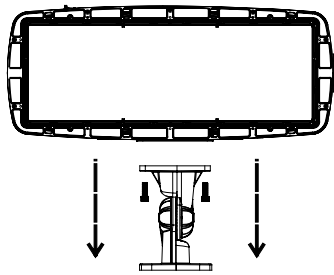


Figure 4

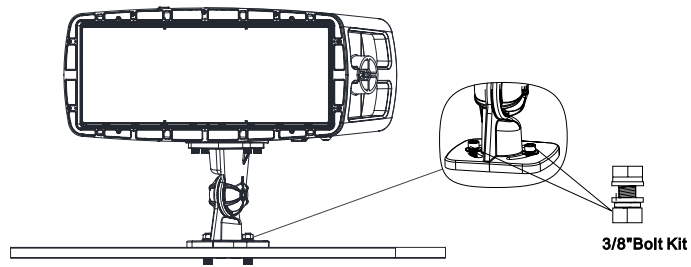


Figure 5

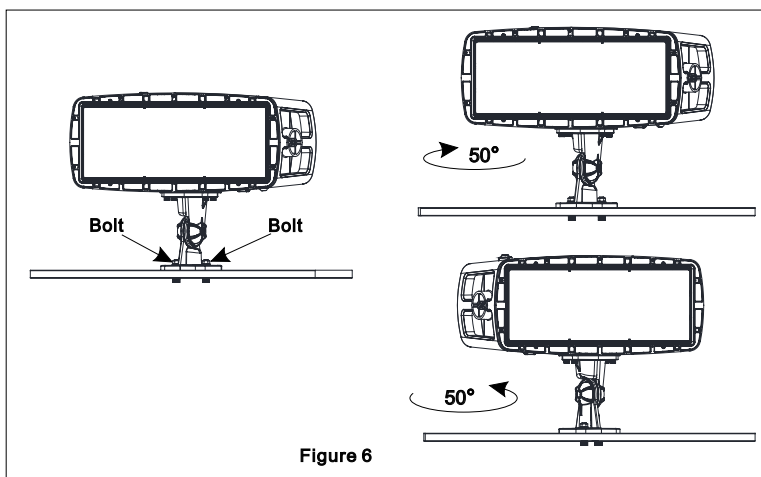


Figure 6

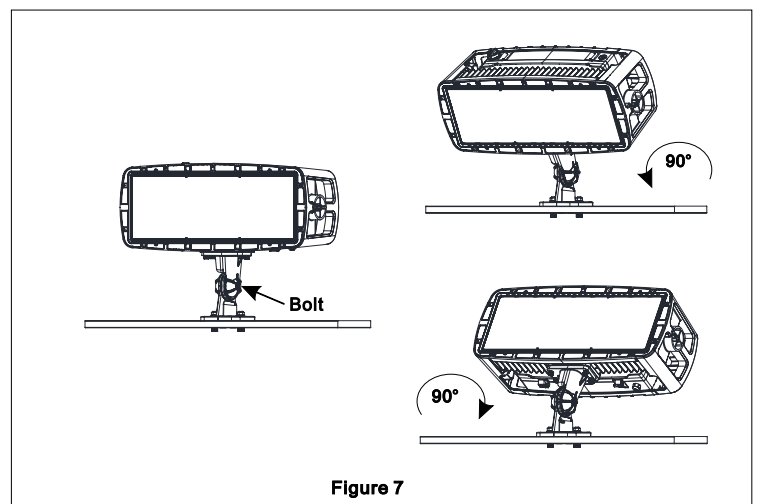


Figure 7

Specifications and dimensions subject to change without notice.

## INSTALLING THE FIXTURE (ADJUSTABLE SLIP FITTER)

### Adjustable Slip Fitter Mount & Aiming:

- Loosen the four (4) bolts on the adjustable slip fitter bracket, connect the wires correctly, and pull the wires into the poles (Figure 8).
- Place the bracket into the pole and lock the four bolts (Figure 9).
- Use an open-end wrench and hex wrench to loosen the screw for adjusting the angle (Figure 10). Note: The adjustable angle is 0-90°.

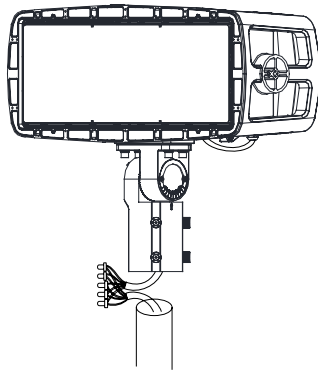


Figure 8

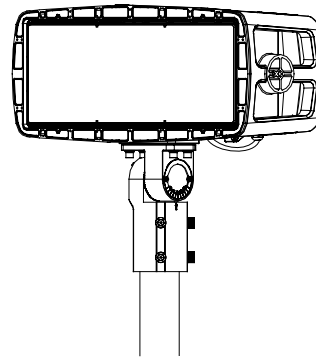


Figure 9

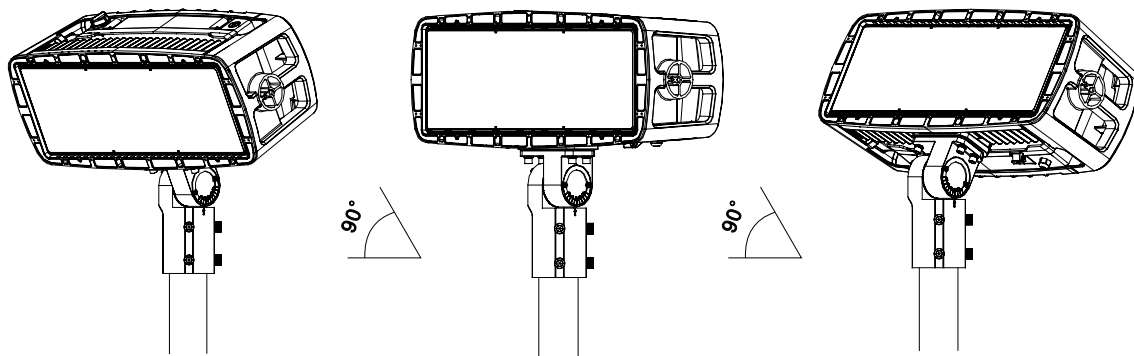


Figure 10