



IMPORTANT SAFETY WARNINGS



THE INSTALLATION MUST ONLY BE PERFORMED BY A LICENSED ELECTRICIAN. TO PREVENT DEATH, INJURY OR DAMAGE TO PROPERTY, THIS PRODUCT MUST BE INSTALLED IN ACCORDANCE TO NATIONAL ELECTRIC CODE (NFPA70) IN THE US OR CANADIAN ELECTRICAL CODE (CSA22.1) IN CANADA.

L'INSTALLATION NE DOIT ÊTRE EFFECTUÉE QUE PAR UN ÉLECTRICIEN AGRÉÉ. POUR PRÉVENIR LES DÉCÈS, LES BLESSURES OU LES DOMMAGES MATÉRIELS, CE PRODUIT DOIT ÊTRE INSTALLÉ CONFORMÉMENT AU CODE NATIONAL DE L'ÉLECTRICITÉ (NFPA70) AUX USA OU CODE CANADIEN DE L'ÉLECTRICITÉ (CSA22.1) AU CANADA.

CONSULT A QUALIFIED ELECTRICIAN TO ENSURE CORRECT BRANCH CIRCUIT CONDUCTOR.

CONSULTER UN ÉLECTRICIEN QUALIFIÉ POUR VOUS ASSURER QUE LES CONDUCTEURS DE LA DÉRIVATION SONT ADÉQUATS.

SSUITABLE FOR WET LOCATIONS. SUITABLE FOR OPERATION IN AMBIENT NOT EXCEEDING 45°C (113°F).

CONVIENT AUX ENDROITS HUMIDES. PEUT ÊTRE UTILISÉ À UNE TEMPÉRATURE AMBIANTE N'EXCÉDANT PAS 45°C (113°F).

CAUTION – RISK OF FIRE. MIN 75°C (167°F) SUPPLY CONDUCTORS.

ATTENTION – RISQUE D'INCENDIE. LES FILS D'ALIMENTATION 75°C (167°F) MIN.

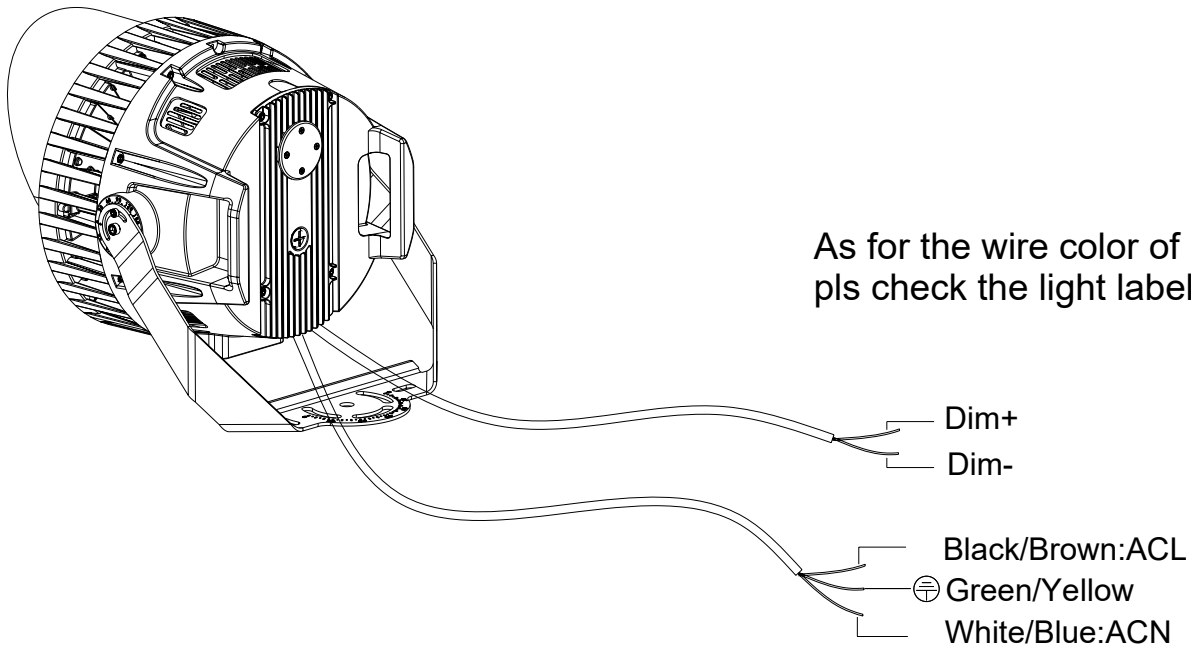
- To reduce the risk of death, personal injury or property damage from fire, electric shock, falling parts, cuts/abrasions, and other hazards please read all warnings and instructions included with and on the fixture box and all fixture labels.
- Follow all manufacturer's warnings, recommendations and restrictions for driver type, burning position, mounting locations/methods, replacement and recycling.
- Allow fixture to cool before handling.
- Wear gloves and safety glasses at all times when removing luminaire from carton, installing, servicing or performing maintenance.
- Disconnect or turn off power before installation or servicing the luminaire.
- Do not exceed maximum wattage marked on the label.
- Do not install in a hazardous environment. The ambient temperature must not exceed the rated operating temperature of the fixture.
- Do not operate in close proximity to persons, combustible materials or substances affected by heat or drying.
- Verify that supply voltage is correct by comparing it with the label information.
- Use wires that comply with UL; 120-277VAC should be wired with no less than 16 AWG and 220-480VAC should be wired with no less than 18 AWG.
- Wiring connections should be capped with UL-approved wire connectors.
- Please use with listed waterproof strain relief bushing when connecting the power supply cord to the outlet box.
- External 0-10V only passive dimmers are supported.
- DO NOT INSTALL DAMAGED PRODUCT! This luminaire has been properly packed so that no parts should have been damaged during transit. Inspect to confirm. Any part damaged during or after assembly should be replaced.
- Maintenance should be performed by person(s) familiar with the luminaires' construction and operation and any hazards involved. Regular fixture maintenance programs are recommended.
- These instructions do not purport to cover all details or variations in equipment nor to provide every possible contingency to meet in connection with installation, operation, or maintenance.

Specifications and dimensions subject to change without notice.

WIRING DIAGRAM

Notice: Please use the dimming+, dimming- (DC10V) marking leads to connect to outside dimmer.

- Class 1 wiring only.
- Assure a cumulative leakage current of less than 3.5mA on the control circuit.
- The AUX control wire with shrinkable tubing shall not be damaged (no connection).



INSTALLING THE BRACKETS ON THE FIXTURE

Trunnion Mount:

- Fix the trunnion mount to the heat sink with M10 screws (Figure 1).
- Fix it with M6 screws after adjusting to the required angle (Figure 2).

Adjustable Slip Fitter Mount:

- Remove the bracket mounting screws on the fixture and run the wires through the bracket (Figure 3).
- Install the bracket on the fixture (Figure 4).

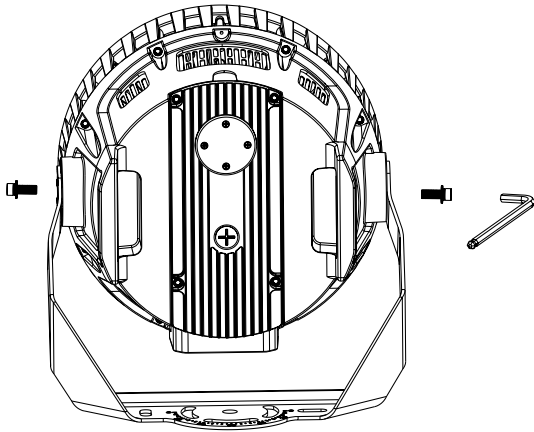


Figure 1

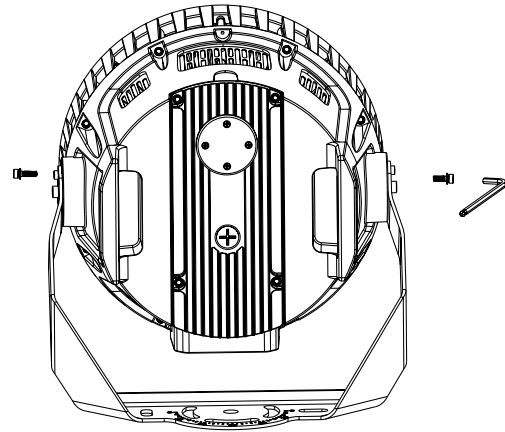


Figure 2

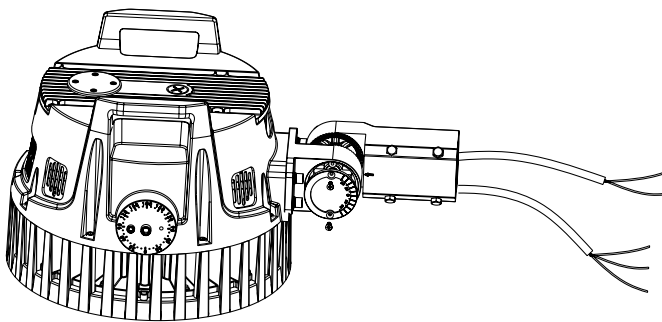


Figure 3

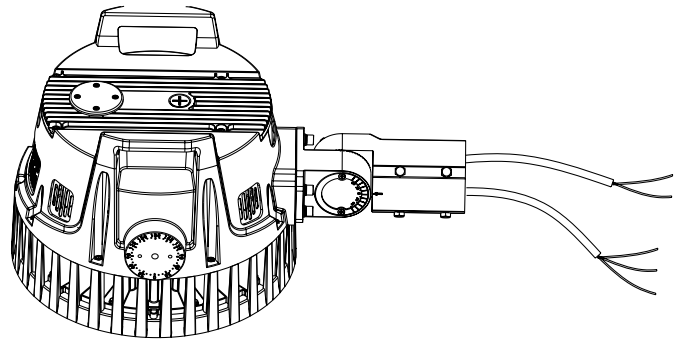


Figure 4

INSTALLING THE FIXTURE (TRUNNION MOUNT)

Trunnion Pole Mounting:

1. Mark the hole distance S1 shown in the product to be installed (Figure 5).
2. Drill two holes of distance S1 on the mounting bar (Figure 6).
3. Install the luminaire on the crossbar and secure it with nuts, spring washers, and flat washers (Figure 7).
4. Use M6 hex wrench to loosen the adjustment screw used to adjust the angle (Figure 8).
5. According to the need, adjust the projection angle, angle adjustment range (Figure 9).
6. Complete the projection angle adjustment and lock the adjustment screw.
7. Select desired method for wiring; refer to previous diagram. Notice: Please use listed water proof strain relief bushing when connecting the supply cord to the outlet box.

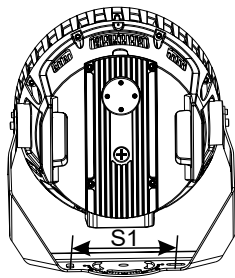


Figure 5

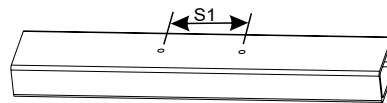


Figure 6

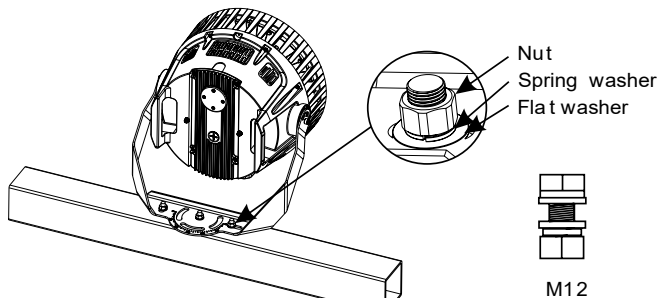


Figure 7

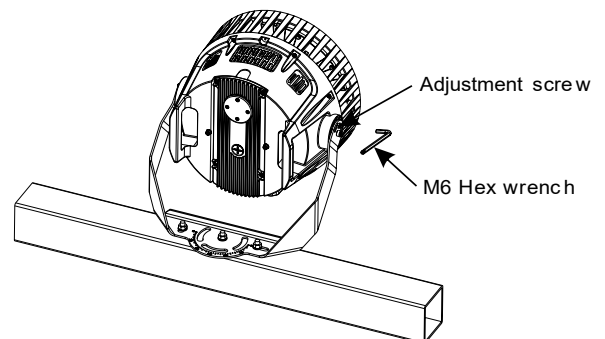


Figure 8

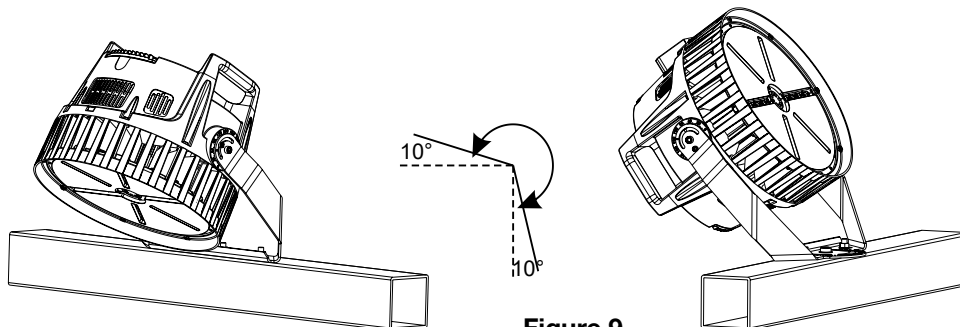


Figure 9

Specifications and dimensions subject to change without notice.

INSTALLING THE FIXTURE (TRUNNION MOUNT)

Trunnion Disc Holder Mounting:

1. Fix the product on the disc holder and lock the screws, no need to over-tighten (Figure 10).
2. According to the need to adjust the lighting direction, it can be 360 degrees of rotation adjustment and then tightened with screws when the adjustment is completed (Figure 11).
3. Use an open-end wrench and hex wrench to loosen the adjusting screw for adjusting the angle (Figure 12).
4. According to the need, carry out the projection angle adjustment, angle adjustment range (Figure 13).
5. Complete the projection angle adjustment and lock the adjustment screw.
6. Select desired method for wiring; refer to previous diagram. Notice: Please use listed water proof strain relief bushing when connecting the supply cord to the outlet box.

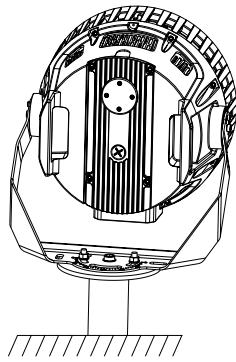


Figure 10

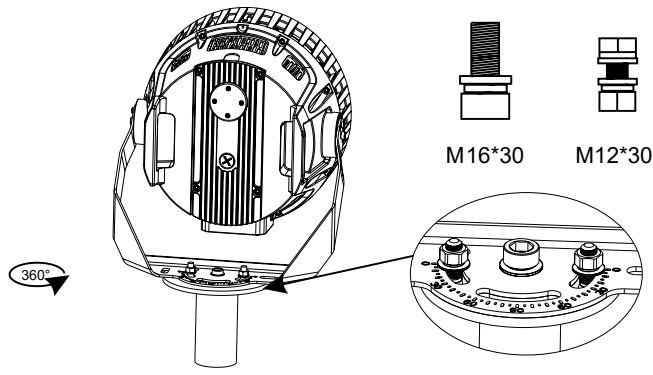


Figure 11

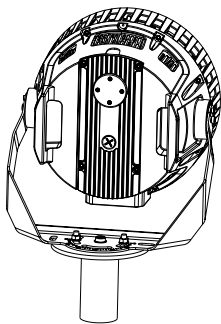


Figure 12

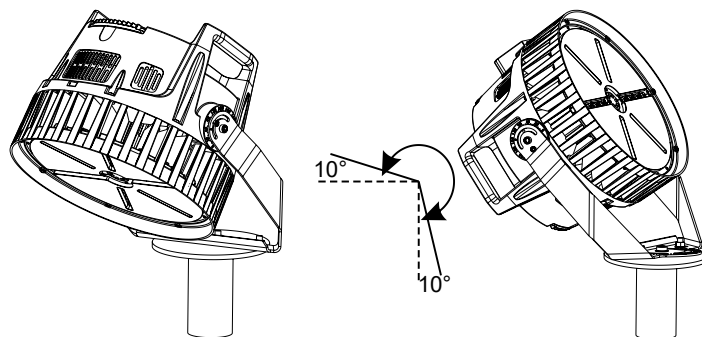


Figure 13

Specifications and dimensions subject to change without notice.

INSTALLING THE FIXTURE (ADJUSTABLE SLIP FITTER)

Adjustable Slip Fitter Mounting:

1. Loosen the four (4) locking bolts on the slip fitter, connect the wire correctly, and put the wire into the pole. Then fasten the locking bolts between the slip fitter and the pole (Figure 14).
2. Loosen the fixing bolts and adjusting bolts, align the fixture to the required angle. Tighten adjusting bolt and fixing bolts after the angle is confirmed (Figure 15). Notice: Adjustable angle is 0-90° (Figure 14).

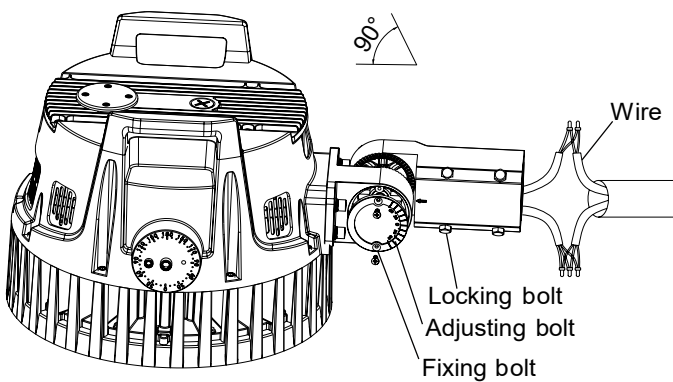


Figure 14

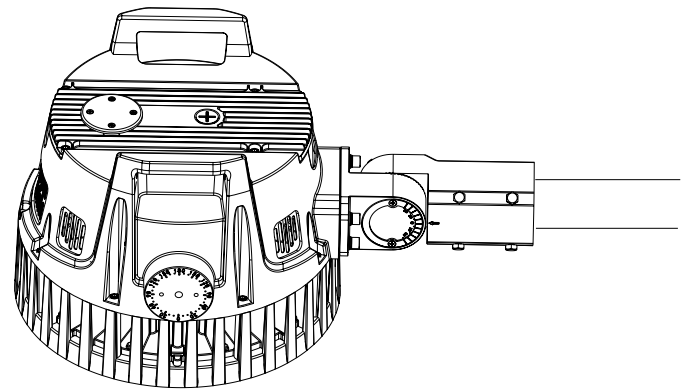


Figure 15