

L-Grid® ProMax Select

Back-lit Flat Panel | Selectable Wattage & CCT



Key Features

- Energy-efficient LED replacement for existing recessed fluorescent luminaires.
- Select wattage and correlated color temperature (CCT) via a switch in the field.
- Recessed or surface mounted with accessory.

Electrical

- 120-277VAC 50/60Hz input.
- Power Factor: >0.9; THD: <20%
- 0-10V dimming standard.
- Operating temperature: -30°C to +45°C (-22°F to +113°F)

Mounting

- Integral T-bar clips included for mounting in a recessed ceiling application.
- Flange kit accessory available (consult factory).

Construction

- Extruded aluminum frame with steel backing prevents light leak and is built for superior strength and durability.
- Frosted white lens offers complete shielding and uniform light distribution that's glare-free.
- Low-profile design provides flexibility for installing in low plenum areas (non-IC rated).

Optics

- Uniform illumination with no visible bright spots or pixelation.
- Industry-leading LEDs with selectable CCT: 3000K, 3500K, 4000K, 5000K, and 6500K (minimum 82 CRI).
- Lumen Maintenance: 165,000 hours (L70) ¹

Warranty

- Backed by US LED's industry-leading Ten-Year Warranty.

Project	Date
---------	------

Catalog Number	Type
----------------	------

Product Performance Summary

Lumen Output	Up to 7,330 lumens
Efficacy	Up to 157 LPW
CRI	≥ 82 CRI
Available CCT	Selectable CCT: 3000K, 3500K, 4000K, 5000K, 6500K
Warranty	Ten-Year Warranty

Product Overview

Introducing the L-Grid® ProMax Select LED flat panel (FTR4), the top choice for projects that require superior performance and reliability. This next-generation LED flat panel is designed with a thinner profile, a larger junction box, and enhanced efficacy. The L-Grid ProMax Select seamlessly integrates into any environment, delivering consistent, high-quality illumination. It's the preferred flat panel for indoor lighting projects, offering unparalleled peace of mind thanks to the industry-leading Ten-Year Warranty.

Product Applications

- Retail Spaces
- Convenience Stores
- Classrooms
- Conference Rooms
- Office Spaces
- Industrial/Warehouses
- Hospitals
- Health Care Facilities
- Hospitality
- Hallways/Corridors

Product Certifications

- ETL Listed
- Complies with UL 1598 and CSA 22.2
- Suitable for Indoor Locations Only
- DLC Premium Listed
- NSF Certified
- RoHS Compliant



Ordering Information

FTR4	Series	Size	Input Voltage	Selectable Power	Selectable CCT
	14	1x4	UNVL 120-277V	26 ² 26W, 32W, 40W	SCCT Selectable CCT: 3000K, 3500K, 4000K, 5000K, 6500K
	22	2x2		32 ² 32W, 40W, 50W	
	24	2x4			

Example: FTR4-24-UNVL-32-SCCT

Accessories	
BBU	Battery Backup
FTR4-SMK14	1x4 Surface Mount Kit
FTR4-SMK22	2x2 Surface Mount Kit
FTR4-SMK24	2x4 Surface Mount Kit

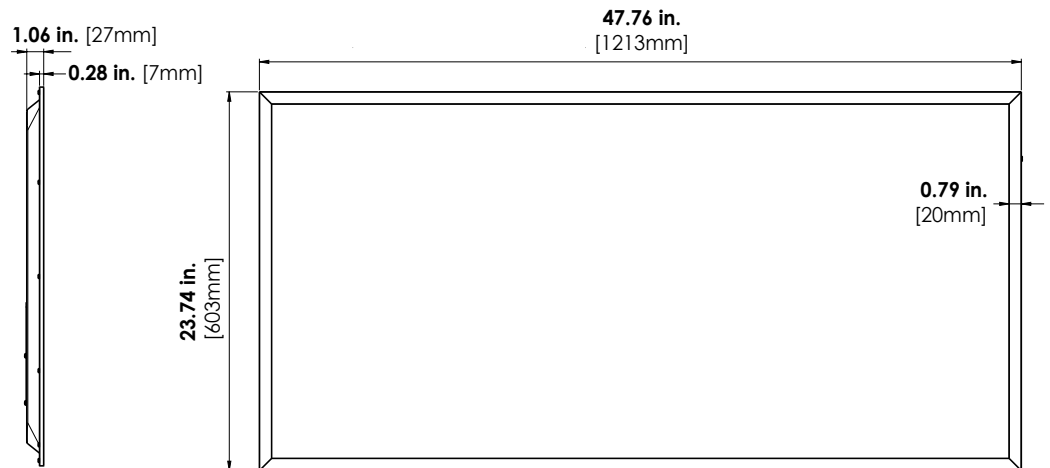
1. Product 'Lifetimes' refer only to the LED light engine, not the power source, and are based on the Illuminating Engineering Society's TM21 Projected Lumen Maintenance methodology at a 25° C / 77° F ambient temperature. The lifetimes are solely meant to be a guide for expected LED degradation and not a warranty or predictive of their actual life, which can be affected by ambient temperatures and other factors.
2. [Option 26] only available with 1x4 and 2x2 models. [Option 32] only available with 2x4 model.

L-Grid[®] ProMax Select

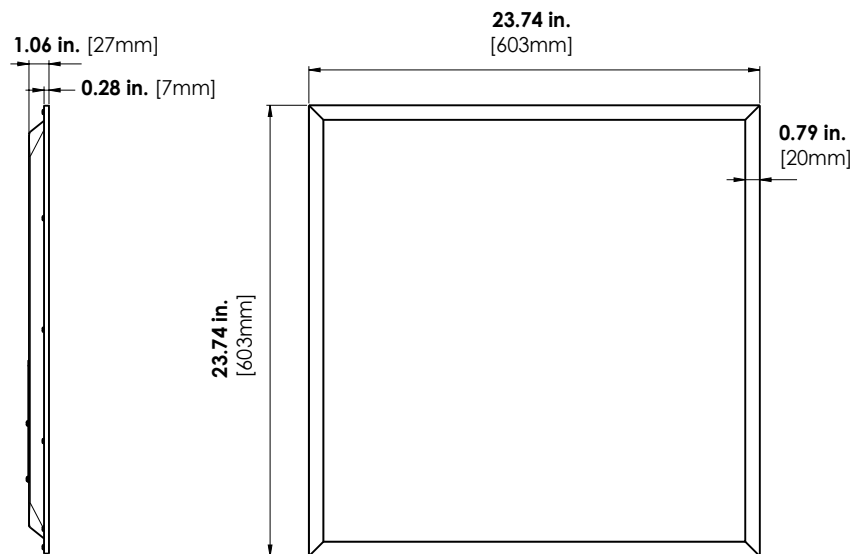
Back-lit Flat Panel | Selectable Wattage & CCT

Dimensions

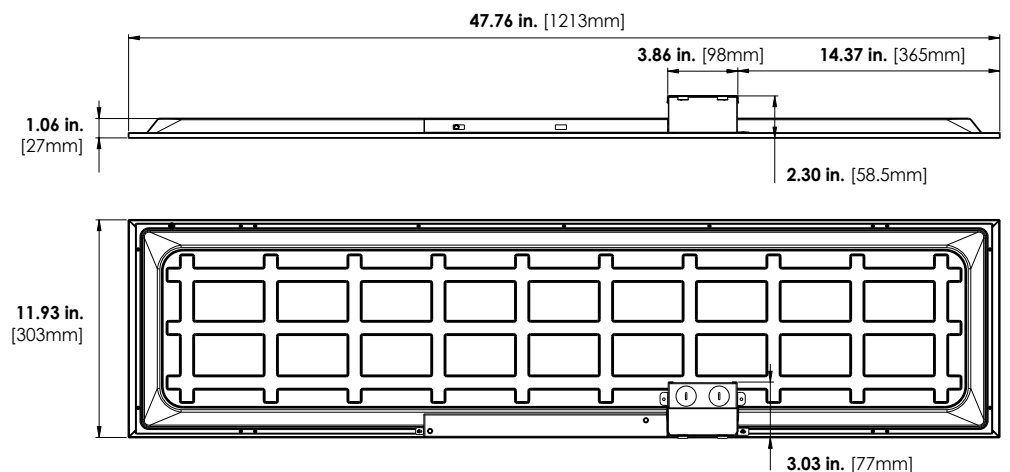
FTR4 2x4 Model	
Carton Dimensions	49.4" x 2.5" x 24.5"
Net Weight	8.3 lbs. [3.8kg]



FTR4 2x2 Model	
Carton Dimensions	24.5" x 2.5" x 24.5"
Net Weight	4.3 lbs. [1.9kg]



FTR4 1x4 Model	
Carton Dimensions	49.375" x 2.5" x 12.375"
Net Weight	4.12 lbs. [1.8kg]



L-Grid® ProMax Select

Back-lit Flat Panel | Selectable Wattage & CCT

Performance Data

Model	System Level Power	Wattage	Delivered Lumens	Efficacy	CCT	CRI	L70 Calculated Life
FTR4-14-UNVL-26-SCCT	26W	26.0W	3,874	149 LPW	5000K	≥82 CRI	165,000 Hours
	32W	31.9W	4,672	146 LPW			
	40W	37.9W	5,451	144 LPW			
FTR4-22-UNVL-26-SCCT	26W	26.0W	3,874	149 LPW	5000K	≥82 CRI	165,000 Hours
	32W	31.9W	4,672	146 LPW			
	40W	37.9W	5,451	144 LPW			
FTR4-24-UNVL-32-SCCT	32W	31.9W	4,995	157 LPW	5000K	≥82 CRI	165,000 Hours
	40W	39.6W	6,085	154 LPW			
	50W	48.8W	7,330	150 LPW			

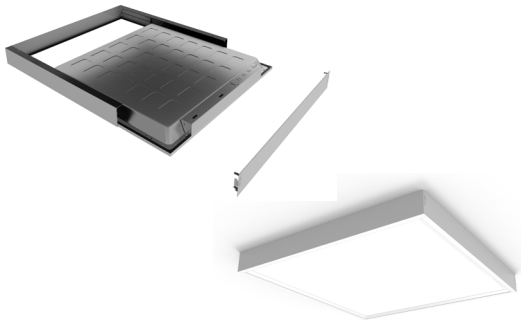
Accessories

FTR4-SMK14 L-Grid Edge Xtreme Select 1x4 Surface Mount Kit

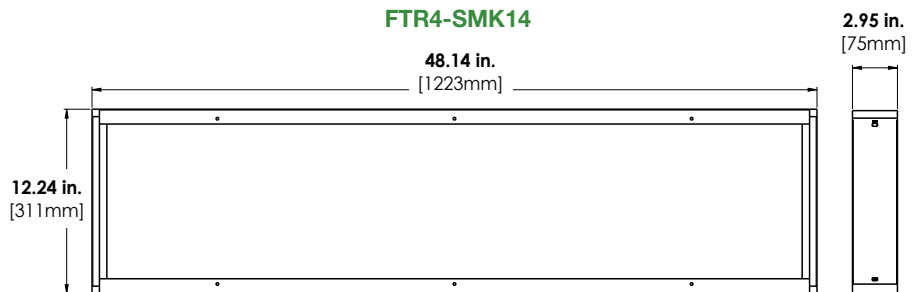
FTR4-SMK22 L-Grid Edge Xtreme Select 2x2 Surface Mount Kit

FTR4-SMK24 L-Grid Edge Xtreme Select 2x4 Surface Mount Kit

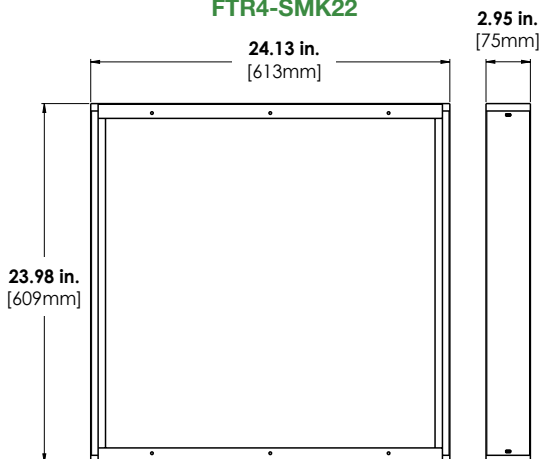
Designed for use on the surface of drywall or concrete ceilings, these surface mount kits are ideal for offices, educational facilities, healthcare facilities, and any other indoor applications where surface mount troffer installation is required.



FTR4-SMK14



FTR4-SMK22



FTR4-SMK24

