

# SQSL1

## LED Square Sports Light



### Key Features

- Combines superior performance and advanced thermal management in an appealing design.
- Excellent uniformity that accurately renders true colors on the sports field.
- Versatile mounting options provide operational flexibility for any outdoor installation.
- Additional intelligent lighting controls and monitoring capabilities available.

### Electrical

- 120-277V or 277-480V available.
- 0-10V dimming standard.
- Operating temperature: -40°C to 45°C (-40°F to 113°F)

### Mounting

- Trunnion or adjustable slip fitter mount options available.

### Construction

- Rugged die-cast aluminum design protects integral components from harsh environments and optimizes thermal management.
- Housing is protected by a corrosion resistant powder coat finish.
- IP65 rated optics offer protection from outdoor conditions.
- LED driver is mounted in contact with the casting to assist low operating temperatures and maintain long life.

### Optics

- Industry leading LEDs with 4000K, 5000K, and 5700K CCT (minimum 70 CRI).
- Lumen Maintenance: 162,000 Hours (L70).<sup>1</sup>
- Choice of precision-molded optics.

### Warranty

- Backed by US LED's Five-Year Warranty.

Project	Date
---------	------

Catalog Number	Type
----------------	------

### Product Performance Summary

Lumen Output	Up to 274,614 lumens
Efficacy	Up to 161 LPW
CRI	≥ 70 CRI
Available CCT	4000K, 5000K & 5700K
Warranty	Five-Year Warranty

### Product Overview

The SQSL1 LED square sports light will give you the game-changing performance you need to professionally illuminate any sports venue. With multiple optics and mounting options, you'll get the light exactly where it's needed the most - right in the middle of the action! If you are ready for the next level of athletic performance, there are additional intelligent lighting controls available.

### Product Applications

- University Arenas
- Collegiate Arenas
- Pro Arenas
- Sports Fields
- Tennis Courts
- Gymnasiums
- Field Houses
- Race Tracks
- Recreation Areas
- Security Lighting

### Product Certifications

- UL Listed
- Complies with UL1598 and CSA C22.2
- Suitable for Wet Locations
- IP65 Rated Enclosure
- RoHS Compliant



Example: **SQSL1-500-UNVL-50-30-BK-FM**

### Ordering Information

Series	Model	Input Voltage	CCT	Optics	Finish	Mounting <sup>2</sup>
500	500W	UNVL 120-277V	40 4000K	15 15°	BK Black	FM Trunnion
600	600W	UNVH 277-480V	50 5000K	30 30°		AM Adjustable Slip Fitter
1000	1000W		57 5700K	40 40°		
1200	1200W			60 60°		
1500	1500W					
1800	1800W					

Accessories
D0 Photocontrol
D1 Aiming Laser
D2 Wireless Control
C Casambi-Enabled DMX Control

1. US LED product 'Lifetimes' refer only to the LED light engine, not the power source, and are based on the Illuminating Engineering Society's TM21 Projected Lumen Maintenance methodology at a 25° C / 77° F ambient temperature. The lifetimes are solely meant to be a guide for expected LED degradation and not a warranty or predictive of their actual life, which can be affected by ambient temperatures and other factors.

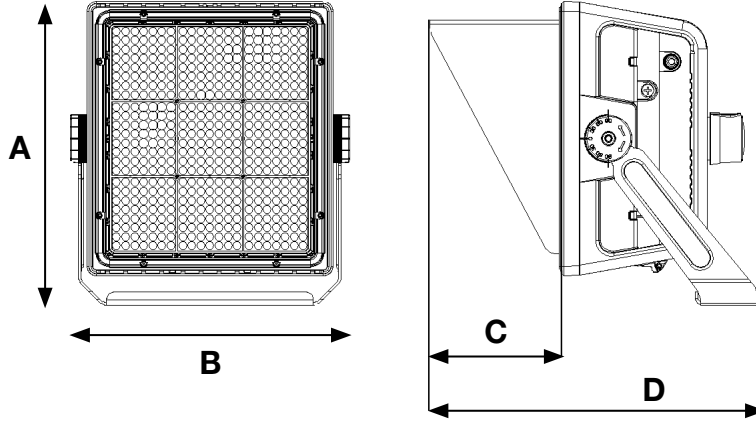
2. Mounting included in the luminaire pricing.

# SQSL1

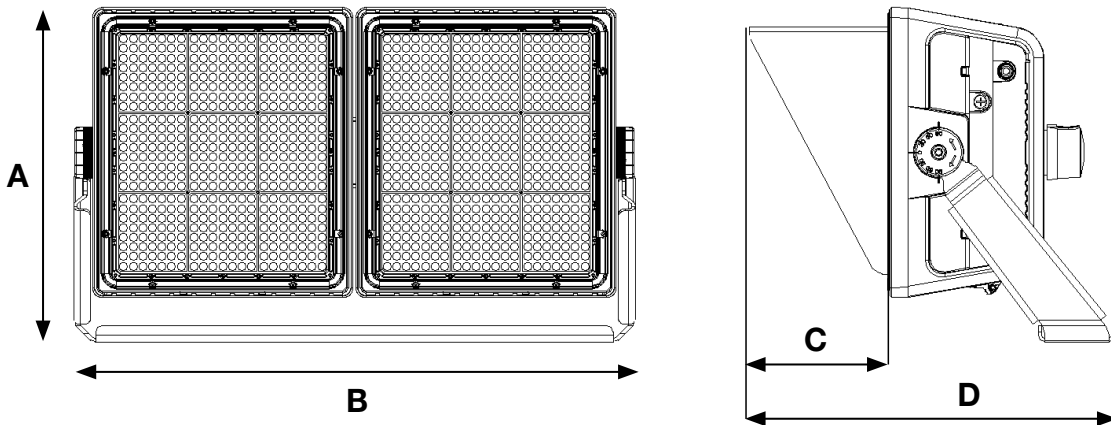
## LED Square Sports Light

### Dimensions

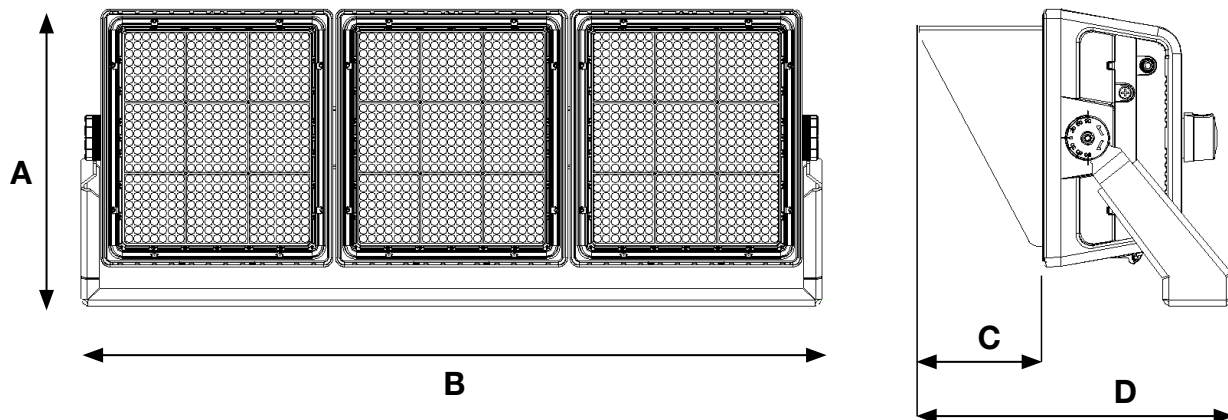
Model	A	B	C (Trunnion)	D (Trunnion)	Net Weight	EPA Rating
500/600	18.7 in. ± 0.4 in.	17.3 in. ± 0.4 in.	8.0 in. ± 0.4 in.	20.6 in. ± 0.4 in.	46.93 lbs. [21.29kg]	2.3 ft. <sup>2</sup>



Model	A	B	C (Trunnion)	D (Trunnion)	Net Weight	EPA Rating
1000/1200	19.5 in. ± 0.4 in.	32.8 in. ± 0.4 in.	8.0 in. ± 0.4 in.	21.4 in. ± 0.4 in.	89.51 lbs. [40.6kg]	4.6 ft. <sup>2</sup>



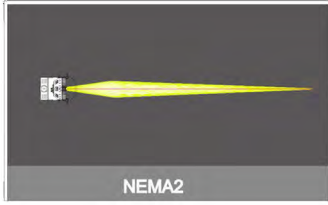
Model	A	B	C (Trunnion)	D (Trunnion)	Net Weight	EPA Rating
1500/1800	19.5 in. ± 0.4 in.	48.5 in. ± 0.4 in.	8.0 in. ± 0.4 in.	20.5 in. ± 0.4 in.	125.44 lbs. [56.9kg]	6.9 ft. <sup>2</sup>



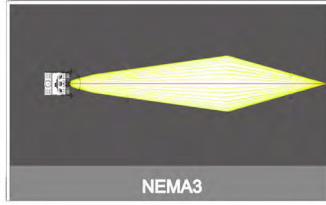
# SQSL1

## LED Square Sports Light

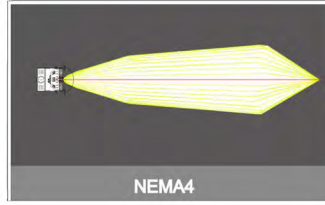
### Optical Distributions



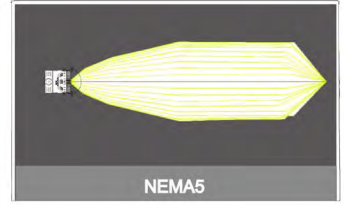
Beam Spread: 15°-29°  
Narrow Spot



Beam Spread: 29°-46°  
Medium Narrow Spot



Beam Spread: 46°-70°  
Medium Flood



Beam Spread: 70°-100°  
Medium Wide Flood

### Performance Data

Model	Optic	System Level Power	Wattage	Delivered Lumens	Efficacy	CCT	BUG Rating	L70 Calculated Life
SQSL1-500-UNVL-XX-15-BK	15°	500W	513.32W	76,700.3	149.42 LPW	4000K	B5-U0-G5	162,000 Hours
SQSL1-500-UNVL-XX-15-BK	15°	500W	513.92W	77,133.9	150.09 LPW	5000K	B5-U0-G5	162,000 Hours
SQSL1-500-UNVL-XX-15-BK	15°	500W	514.51W	77,567.5	150.76 LPW	5700K	B5-U0-G5	162,000 Hours
SQSL1-500-UNVL-XX-30-BK	30°	500W	512.17W	81,076.4	158.3 LPW	4000K	B5-U0-G5	162,000 Hours
SQSL1-500-UNVL-XX-30-BK	30°	500W	512.52W	81,526.0	159.07 LPW	5000K	B5-U0-G5	162,000 Hours
SQSL1-500-UNVL-XX-30-BK	30°	500W	512.86W	81,975.5	159.84 LPW	5700K	B5-U0-G5	162,000 Hours
SQSL1-600-UNVL-XX-15-BK	15°	600W	613.82W	86,174.2	140.39 LPW	4000K	B5-U0-G5	162,000 Hours
SQSL1-600-UNVL-XX-15-BK	15°	600W	614.25W	86,701.7	141.15 LPW	5000K	B5-U0-G5	162,000 Hours
SQSL1-600-UNVL-XX-15-BK	15°	600W	614.68W	87,229.2	141.91 LPW	5700K	B5-U0-G5	162,000 Hours
SQSL1-600-UNVL-XX-30-BK	30°	600W	612.71W	91,704.3	149.67 LPW	4000K	B5-U0-G5	162,000 Hours
SQSL1-600-UNVL-XX-30-BK	30°	600W	613.14W	92,155.2	150.3 LPW	5000K	B5-U0-G5	162,000 Hours
SQSL1-600-UNVL-XX-30-BK	30°	600W	613.57W	92,606.1	150.93 LPW	5700K	B5-U0-G5	162,000 Hours
SQSL1-1000-UNVL-XX-15-BK	15°	1,000W	1,023.93W	151,643.6	148.1 LPW	4000K	B5-U0-G5	162,000 Hours
SQSL1-1000-UNVL-XX-15-BK	15°	1,000W	1,024.23W	152,374	148.77 LPW	5000K	B5-U0-G5	162,000 Hours
SQSL1-1000-UNVL-XX-15-BK	15°	1,000W	1,024.52W	153,104.3	149.44 LPW	5700K	B5-U0-G5	162,000 Hours
SQSL1-1000-UNVL-XX-30-BK	30°	1,000W	1,022.14W	162,663.3	159.14 LPW	4000K	B5-U0-G5	162,000 Hours
SQSL1-1000-UNVL-XX-30-BK	30°	1,000W	1,022.66W	163,559.5	159.94 LPW	5000K	B5-U0-G5	162,000 Hours
SQSL1-1000-UNVL-XX-30-BK	30°	1,000W	1,023.18W	164,455.7	160.73 LPW	5700K	B5-U0-G5	162,000 Hours
SQSL1-1200-UNVL-XX-15-BK	15°	1,200W	1,218.01W	170,922.8	140.33 LPW	4000K	B5-U0-G5	162,000 Hours
SQSL1-1200-UNVL-XX-15-BK	15°	1,200W	1,218.58W	171,887.0	141.06 LPW	5000K	B5-U0-G5	162,000 Hours
SQSL1-1200-UNVL-XX-15-BK	15°	1,200W	1,219.15W	172,851.1	141.78 LPW	5700K	B5-U0-G5	162,000 Hours
SQSL1-1200-UNVL-XX-30-BK	30°	1,200W	1,217.71W	181,585.0	149.12 LPW	4000K	B5-U0-G5	162,000 Hours
SQSL1-1200-UNVL-XX-30-BK	30°	1,200W	1,218.14W	182,587.4	149.89 LPW	5000K	B5-U0-G5	162,000 Hours
SQSL1-1200-UNVL-XX-30-BK	30°	1,200W	1,218.57W	183,589.8	150.66 LPW	5700K	B5-U0-G5	162,000 Hours
SQSL1-1500-UNVL-XX-15-BK	15°	1,500W	1,526.16W	227,504.8	149.07 LPW	4000K	B5-U0-G5	162,000 Hours
SQSL1-1500-UNVL-XX-15-BK	15°	1,500W	1,526.88W	228,306.4	149.53 LPW	5000K	B5-U0-G5	162,000 Hours
SQSL1-1500-UNVL-XX-15-BK	15°	1,500W	1,527.59W	229,107.9	149.98 LPW	5700K	B5-U0-G5	162,000 Hours
SQSL1-1500-UNVL-XX-30-BK	30°	1,500W	1,528.24W	244,427.0	159.94 LPW	4000K	B5-U0-G5	162,000 Hours
SQSL1-1500-UNVL-XX-30-BK	30°	1,500W	1,528.83W	245,453.4	160.55 LPW	5000K	B5-U0-G5	162,000 Hours
SQSL1-1500-UNVL-XX-30-BK	30°	1,500W	1,529.41W	246,479.7	161.16 LPW	5700K	B5-U0-G5	162,000 Hours
SQSL1-1800-UNVL-XX-15-BK	15°	1,800W	1,828.35W	256,682.1	140.39 LPW	4000K	B5-U0-G5	162,000 Hours
SQSL1-1800-UNVL-XX-15-BK	15°	1,800W	1,828.93W	258,062.5	141.1 LPW	5000K	B5-U0-G5	162,000 Hours
SQSL1-1800-UNVL-XX-15-BK	15°	1,800W	1,829.51W	259,442.8	141.81 LPW	5700K	B5-U0-G5	162,000 Hours
SQSL1-1800-UNVL-XX-30-BK	30°	1,800W	1,828.9W	271,884.7	148.66 LPW	4000K	B5-U0-G5	162,000 Hours
SQSL1-1800-UNVL-XX-30-BK	30°	1,800W	1,829.47W	273,249.5	149.36 LPW	5000K	B5-U0-G5	162,000 Hours
SQSL1-1800-UNVL-XX-30-BK	30°	1,800W	1,830.03W	274,614.3	150.06 LPW	5700K	B5-U0-G5	162,000 Hours