



## IMPORTANT SAFETY WARNINGS



**THE INSTALLATION MUST ONLY BE PERFORMED BY A QUALIFIED INSTALL TECHNICIAN. TO PREVENT DEATH, INJURY OR DAMAGE TO PROPERTY, THIS PRODUCT MUST BE INSTALLED IN ACCORDANCE TO NATIONAL ELECTRIC CODE (NFPA70) IN THE US OR CANADIAN ELECTRICAL CODE (CSA22.1) IN CANADA.**

*L'INSTALLATION DOIT ÊTRE EFFECTUÉE UNIQUEMENT PAR UN TECHNICIEN QUALIFIÉ. POUR ÉVITER TOUT RISQUE DE DÉCÈS, DE BLESSURE OU DE DOMMAGE MATÉRIEL, CE PRODUIT DOIT ÊTRE INSTALLÉ CONFORMÉMENT AU NATIONAL ELECTRIC CODE (NFPA70) AUX ÉTATS-UNIS OU AU CODE CANADIEN DE L'ÉLECTRICITÉ (CSA22.1) AU CANADA.*

**SUITABLE FOR WET LOCATIONS. SUITABLE FOR OPERATION IN AMBIENT NOT EXCEEDING 50°C (122°F).**

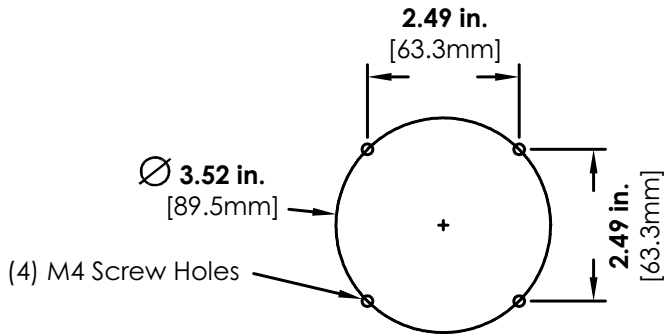
*CONVIENT AUX ENDROITS HUMIDES. PEUT ÊTRE UTILISÉ À UNE TEMPÉRATURE AMBIANTE N'EXCÉDANT PAS 50°C (122°F).*

- The fixture should be mounted in a sunny area unobstructed by trees, buildings, or walls to optimize the solar panel's exposure to sunlight for effective battery charging. Wall pack must be charged under sunlight for eight hours before first use.
- Please refrain from positioning direct light sources over the solar panel at night, as this may disrupt the operation of the solar wall pack.
- After installation, the working modes can be accessed using either the infrared remote control or the switch button located on the fixture body.
- This product operates solely on solar energy and does not require any external electrical connection. It is charged by direct sunlight through the solar panel.
- The operational lifespan of the fixture's internal battery may be compromised when exposed to ambient temperatures below 0°C (32°F).
- The light source and internal battery are not designed to be replaced. When the fixture reaches the end of its operational life, it should be replaced accordingly.
- The fixture can be stored for up to six months without use. If storing it for more than six months, recharging in sunlight is recommended.
- To reduce the risk of death, personal injury or property damage from fire, electric shock, falling parts, cuts/abrasions, and other hazards please read all warnings and instructions included with and on the fixture box and all fixture labels.
- Follow all manufacturer's warnings, recommendations and restrictions for mounting locations/methods, replacement and recycling.
- Wear gloves and safety glasses at all times when removing luminaire from carton, installing, servicing or performing maintenance.
- **DO NOT INSTALL DAMAGED PRODUCT!** This luminaire has been properly packed so that no parts should have been damaged during transit. Inspect to confirm. Any part damaged during or after assembly should be replaced.
- These instructions do not purport to cover all details or variations in equipment nor to provide every possible contingency to meet in connection with installation, operation, or maintenance.

Specifications and dimensions subject to change without notice.

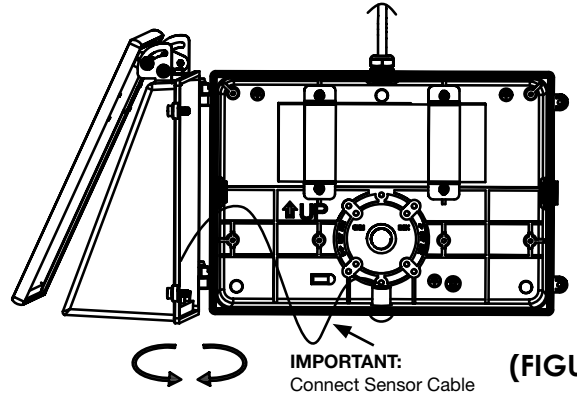
## INSTALLING THE FIXTURE

**Step 1:** Drill (4) M4 screw holes at the desired installation height on the wall according to Figure 1.



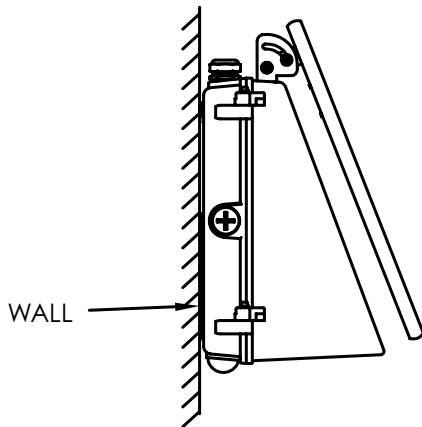
(FIGURE 1)

**Step 2:** Turn on the light fixture and fix it with (4) M4 self-tapping screws according to the hole positions, as show in Figure 2.



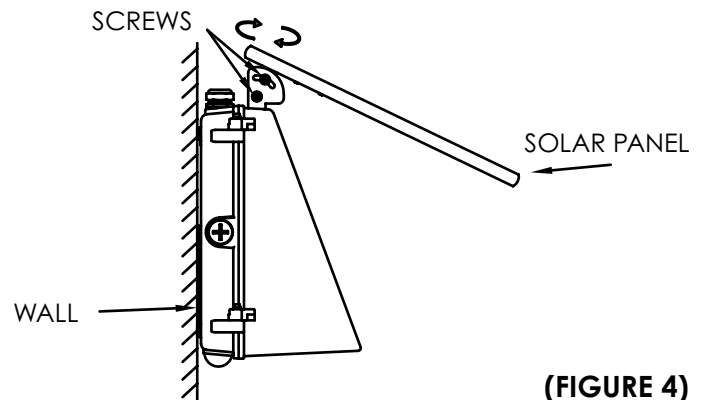
(FIGURE 2)

**Step 3:** Secure the lighting fixture and tighten the nut on the side (Figure 3).



(FIGURE 3)

**Step 4:** Adjust the solar panel to the appropriate angle by tightening the screws (Figure 4).



(FIGURE 4)

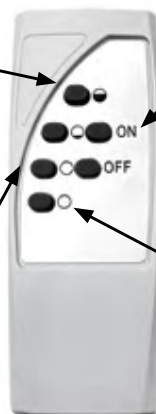
### Remote Control Instructions

**Mode 1: Constant Lighting Mode**

The light will automatically turn on at dusk and remain at 50% brightness when no motion is detected. When motion is detected, the light will turn on 100% brightness for 20 seconds. After 5 hours, or when the battery capacity is below 30%, the light will switch to Mode 3.

**Mode 3: Full Bright & Off**

The light will turn on to full brightness when motion is detected. Once no motion is detected for 20 seconds, the light will turn off.



**Mode 2: Full Bright & Dim**

The light will turn on to 100% full brightness at dusk and when motion is detected. It will dim to 30% brightness after 10 minutes of no motion, and completely turn off after 5 minutes at 30% if no motion is detected. The light will automatically turn off at dawn.

**Mode 4: Constant Lighting Mode**

The light will turn on at dusk and remain at 70% brightness. Once the battery capacity is below 30%, the light will switch to Mode 3. The light will automatically turn off at dawn.

**On/Off:**

On/Off with memory of previous mode before shut off

**PIR Motion:**

Detection range 120° at 24 ft. distance

**IR Remote Control:**

Control distance ≤39 ft. (12m)

Specifications and dimensions subject to change without notice.