



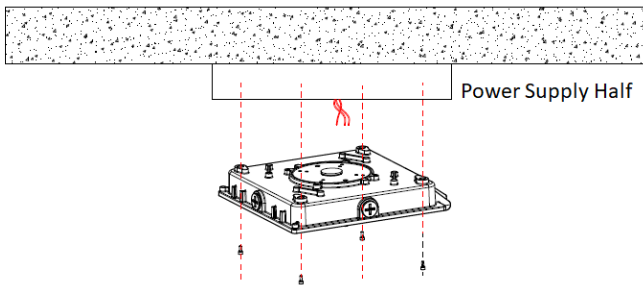
WARNING

- The installation must only be performed by a licensed electrician.
- To prevent death, injury or damage to property this product must be installed in accordance to National Electric Code (NFPA70) in the US or Canadian Electrical Code (CSA22.1) in Canada.
- Disconnect power before installing the product or servicing it.
- Wait until the lamp(s) have cooled down before installing or servicing the fixture.
- Make sure that the lamp fixture is grounded.
- Modification to the QPXL fixture voids its warranty and UL Listing.

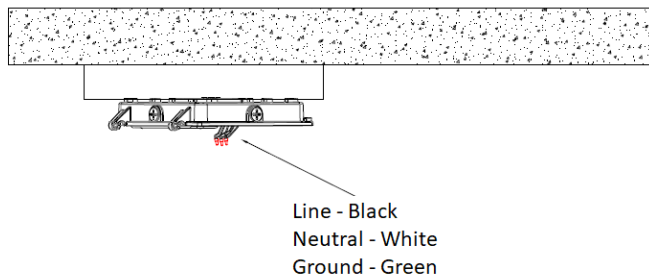
INSTALLATION INSTRUCTIONS - SURFACE MOUNT

1. Verify power is disabled.
2. Remove fixture from carton.
3. Loosen the two captive screws opposite the hinge side.
4. Separate the power supply half from the LED half.
5. Mount the power supply half to the surface.
6. Connect the power supply wires to the line voltage, black (line), white (neutral), and green (ground).
7. Hang the LED half from the power supply half and connect the red and black wires.
8. Close cover, use caution not to pinch wires and secure the two screws opposite the hinge.
9. Energize fixture.

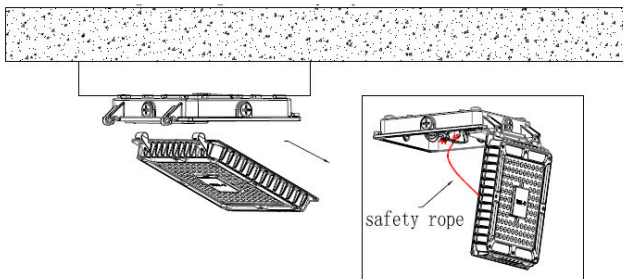
Mount the power supply half to the surface



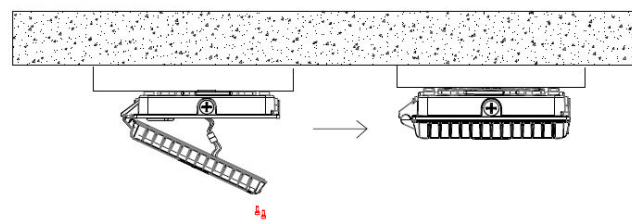
Connect the wires as shown



Slide the LED half onto the hinges of the power supply half



Connect the low voltage, black and red wires



Specifications and dimensions subject to change without notice

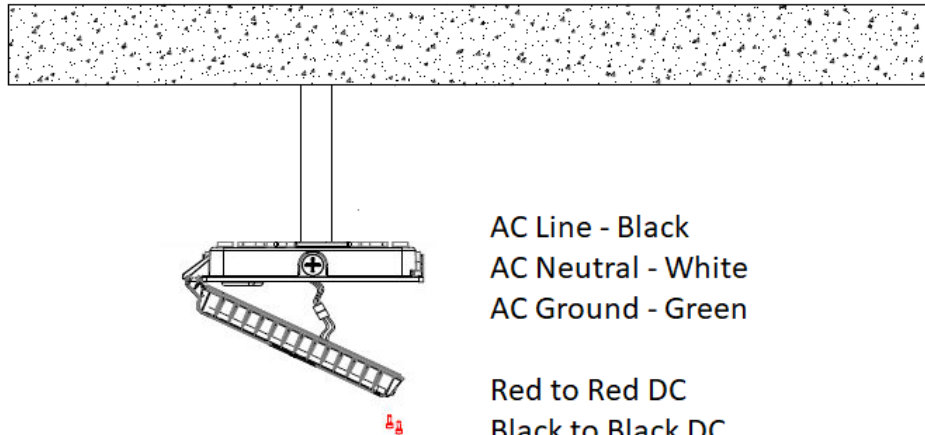
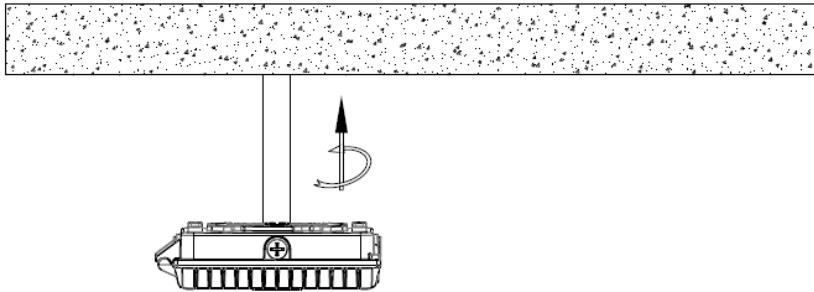


PLEASE READ

WARNING: Read and follow installation instructions for proper installation. Improper installation will void warranty and can cause damage to the fixture.

INSTALLATION INSTRUCTIONS - CONDUIT MOUNT

1. Verify power is disabled.
2. Remove fixture from carton.
3. Screw the QPXL onto the conduit.
4. Loosen the two captive screws opposite the hinge side and open the housing
5. Connect the power supply wires to the line voltage, black (line), white (neutral), and green (ground).
6. Connect the red and black low voltage wires.
7. Close cover, use caution not to pinch wires and secure the two screws opposite the hinge.
8. Energize fixture.



AC Line - Black
AC Neutral - White
AC Ground - Green

Red to Red DC
Black to Black DC