

EcoNight® SOL

Outdoor LED Full Cutoff Solar Wall Pack



Key Features

- Robust, off-grid LED lighting solution that allows remote-area lighting for exteriors.
- Integrated adjustable polycrystalline silicon solar panel to maximize sunlight for charging.
- Full cutoff design for restrictive lighting zones to eliminate forward/upward light.
- Included remote for PIR motion sensor modes.

Electrical

- LiFePO4 battery with long cycle life (≥2000); over-charge/over-discharge protected.
- 7-12 hours of sunlight for full charging time.
- Operating temperature: 0°C to 50°C (32°F to 122°F).

Mounting

- Designed for standard wall mounting or ground/pole lighting.
- Housing is configured for mounting directly over a standard 4" outlet box (by others) or surface wiring via any of the convenient 1/2" threaded conduit entries.

Construction

- Die-cast housing protects integral components from harsh environments and optimizes thermal management.
- Housing is protected by a RoHS compliant, corrosion resistant powder coat finish.
- Standard architectural bronze finish. Consult factory for custom color options.

Optics

- Clear polycarbonate lens; 90° beam angle.
- Industry-leading LEDs with 5000K CCT (minimum 70 CRI).
- Lumen Maintenance: >50,000 hours (L70).¹

Warranty

- Luminaire is backed by US LED's standard Three-Year Warranty.
- Battery is backed by a Two-Year Warranty.

Project	Date
---------	------

Catalog Number	Type
----------------	------

Product Performance Summary

Lumen Output	Up to 3,000 lumens
Efficacy	Up to 167 LPW
CRI	≥ 70 CRI
Available CCT	5000K
Warranty	Ten-Year Warranty

Product Overview

The EcoNight® SOL LED solar wall pack is a durable, off-grid solution that allows remote-area lighting for exterior applications. Featuring an adjustable solar panel, it maximizes sunlight exposure to provide continuous illumination overnight. The EcoNight's full cutoff design and multiple mounting options are engineered to meet the demands of restrictive lighting zones, minimizing light pollution. The included remote control lets you customize lighting further, optimizing energy use by taking advantage of its PIR Motion Sensor modes. The EcoNight SOL promises long-life operation, providing sustainable and brilliant lighting for many years.

Product Applications

- Self-Storage Facilities
- Educational Facilities
- Business Campuses
- Industrial Facilities
- Mall/Retail Areas
- Building Exteriors
- Security Lighting
- Parking Lots

Product Certifications

- Complies with UL1598 and CSA C22.2
- Suitable for Wet Locations
- IP65 Rated Enclosure
- RoHS Compliant



Ordering Information

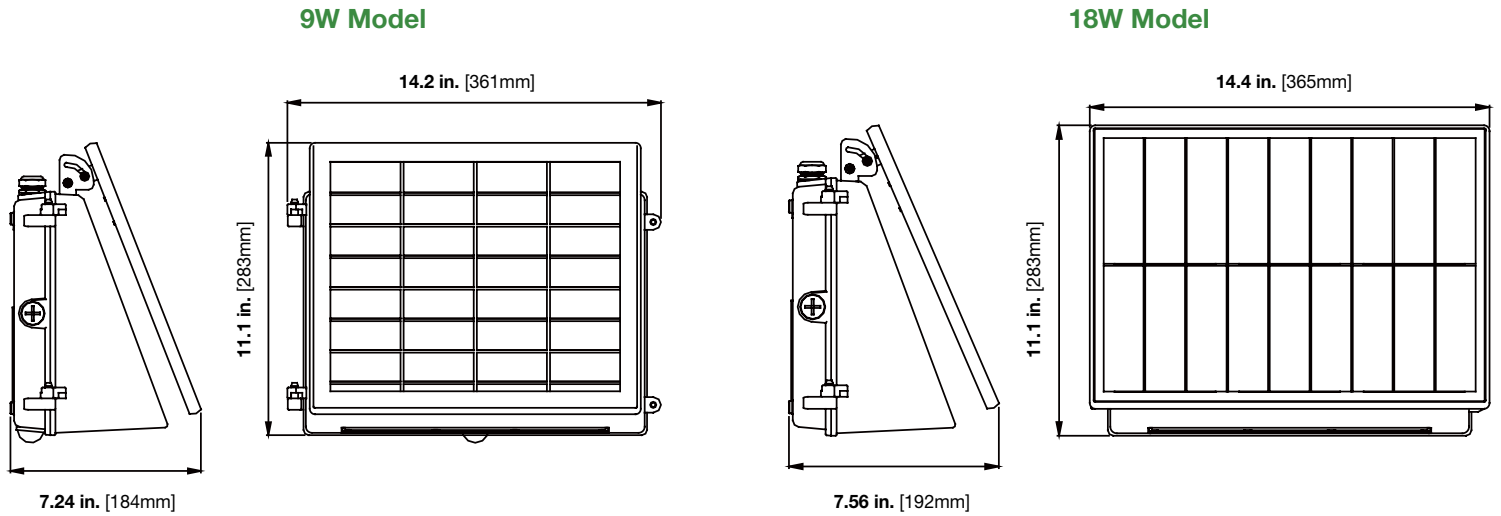
Example: **ULFCS-1-DCVL-50-18-BZ**

Series	Variant	Voltage	CCT	Wattage	Finish
1	Standard	DCVL Low Voltage DC Power	50 5000K	9 9W 18 18W	BZ Bronze C Custom ²

1. US LED product 'lifetimes' refer only to the LED light engine, not the power source, and are based on the Illuminating Engineering Society's TM21 Projected Lumen Maintenance methodology at a 25° C / 77° F ambient temperature. The lifetimes are solely meant to be a guide for expected LED degradation and not a warranty or predictive of their actual life, which can be affected by ambient temperatures and other factors.
2. Custom colors available upon request. Please consult and specify color with the factory.

Outdoor LED Full Cutoff Wall Pack

Dimensions



Performance Data

Model	CCT	System Level Power	Delivered Lumens	Efficacy	Battery Type	Solar Panel	Charging Time	L70 Lifetime
ULFCS-1-DCVL-50-9-BZ	5000K	9.0W	1,500	167 LPW	LiFePO4 6.4V/6Ah	Polycrystalline Silicon (7.5W)	7-8 Hours of Strong Sunshine For Full Charge	>50,000 hours
ULFCS-1-DCVL-50-18-BZ	5000K	18.0W	3,000	167 LPW	LiFePO4 6.4V/18Ah	Polycrystalline Silicon (15W)	10-12 Hours of Strong Sunshine For Full Charge	>50,000 hours

Control & Dimming

MODE 1: Constant Lighting Mode

The light will automatically turn on at dusk and remain at 50% brightness when no motion is detected. When motion is detected, the light will turn to 100% brightness for 20 seconds. After 5 hours or when the battery capacity is below 30%, the light will switch to Mode 3.

MODE 2: Full Bright & Dim

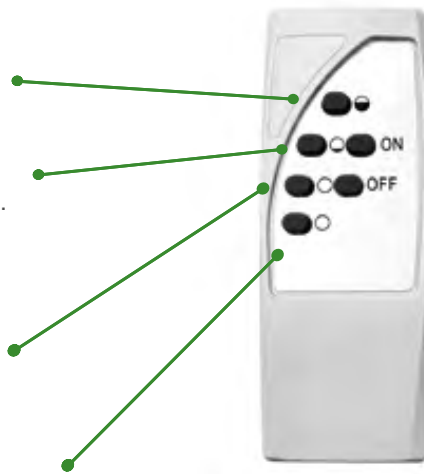
The light will turn on to full brightness for 20 seconds at dusk and when motion is detected. It will dim to 20% brightness after 20 seconds when there is no motion detected.

MODE 3: Full Bright & Off

The light will turn on to full brightness when motion is detected. Once no motion is detected for 20 seconds, the light will turn off.

MODE 4: Constant Lighting Mode

The light will turn on at dusk and remain at 70% brightness. Until the battery capacity is lower than 30%, the light will switch to Mode 3. The light will automatically turn off at dawn.



ON / OFF: On / Off With memory of previous mode before shut off.

PIR Motion Detection Range
120° at 24 ft distance

IR Remote Control
Control distance: ≤ 12 ft

Note: Batteries for the remote are not included and must be sourced separately by the end user.